



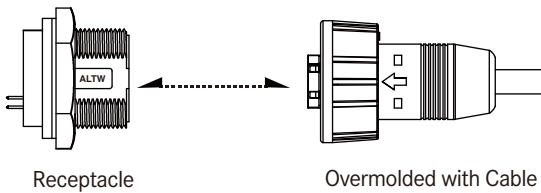
## CATALOGUE

# IEEE 1394 Connector

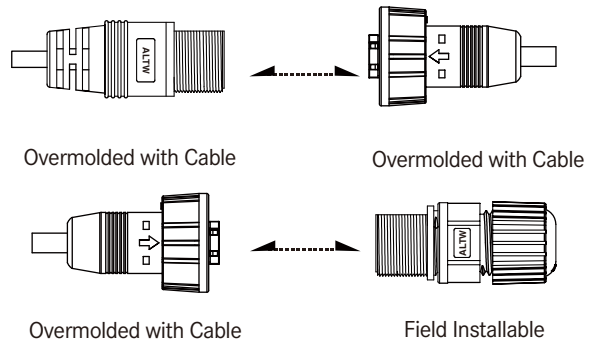


## Range Overview

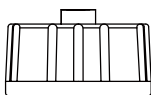
### Receptacle to Overmolded with Cable



### In-Line



### Accessories



Waterproof Cap

# Specification

<b>Identifications</b>	IEEE 1394
<b>Description</b>	Receptacle Overmolded with Cable Field Installable
<b>Current Rating / Data</b>	1A
<b>Material</b>	Contacts: Copper Alloy, Gold Plated Connector Body (Housing) : PBT UL94V-0
<b>Waterproof Rating</b>	Overmolded with Cable: IP67 Receptacle & Field Installable: IP68
<b>Temperature Range</b>	Receptacle: -20°C~80°C Overmolded with Cable: -20°C~80°C Field Installable: -20°C~80°C
<b>Contact Resistance</b>	≤ 30mΩ
<b>Insulation Resistance</b>	≥ 100MΩ at DC 100V
<b>Durability</b>	500 cycles
<b>Dielectric Withstand Voltage</b>	≥ AC 500V / 1 minute
<b>More to know</b>	Standard Cable Length: 01~04M

【Note】 Design and specification are subject to change without notice.

# Ordering Information

1 — 2 3 4 5 6 — 7 8 9 10

**Specification**

(13) 1394 Connector

**Type**

(AA) 1394A

**Connector Body (Style)**

 > For Receptacle > For Overmolded with Cable

 (P) Front Fastened (A) With Strain Relief

 > For Field installable (B) Without Strain Relief

(B) Without Strain Relief

**Connector (Housing) Gender**

 (M) Male Connector (F) Female Connector
**Contact Gender**

 (M) Male (Plug) (F) Female (Jack)
**Assemble Style**

 > For Receptacle > For Overmolded with Cable > For Field Installable  
 (P) 180° PCB Type (M) Overmolded with Cable (A) Field installable (Solder)
**Mating Style**

(S) Screw Thread

**Backshell**

 > For Receptacle > For Field Installable > For Overmolded with Cable  
 (C) Circular (L) Straight (L) Straight
**Waterproof Rating**

(7) IP 67

(8) IP 68

**More Information**

&gt; For Receptacle

 (001) Without Cable  
 (002) With Cable (Harness  
 (50mm))

&gt; For Overmolded with Cable

 (□)+(■) : Cable Type + Cable Length  
 e.g. (A01) = 1394A Cable + 1M

(□) : Cable Type

(A) 1394A Cable

(■) : Cable Length

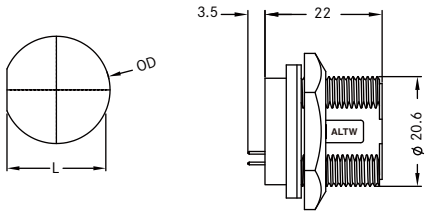
From 1M to 4M

e.g. (01) = 1M

## Physical Dimension

### Receptacle

Panel Cut-Out Connector Dimension



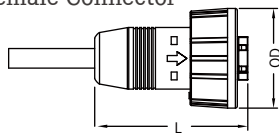
Type	Dimension	L	OD
Connector Gender		Male	
IEEE 1394		19.4	20.8

\* Maximum Panel Thickness: 4mm

Unit: mm

### Overmolded with Cable

Female Connector

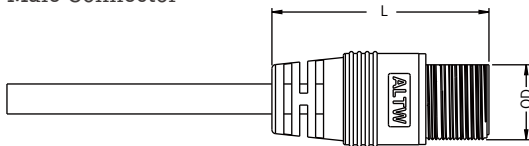


Without Strain Relief

Type	Dimension	L		OD	
Connector Gender		Female	Male	Female	Male
IEEE 1394		39.0	55.0	25.4	19.0

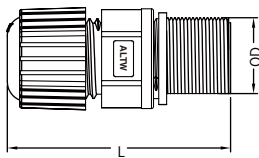
Unit: mm

Male Connector



With Strain Relief

### Field Installable

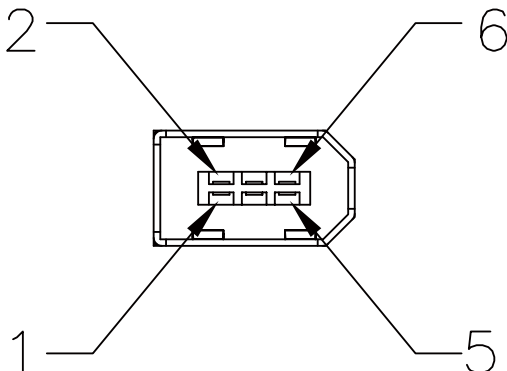


Without Strain Relief / Straight

Type	Dimension	L		OD	
Connector Gender		Female	Male	Female	Male
IEEE 1394		-	56.5	-	19.0

Unit: mm

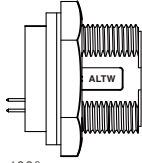
## Contact Configuration



[Note] Design and specification are subject to change without notice.

## Product Features

### Receptacle



\* PCB Pin 180°

#### Backshell 8



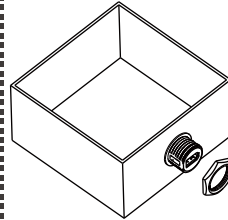
Circular (C)

#### Mating Style 7



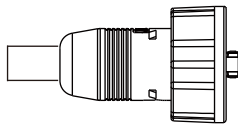
Screw Thread (S)

#### Connector Body(Style) 3

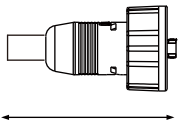


Front Fastened (P)

### Overmolded with Cable



#### Backshell 8



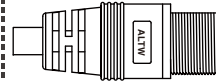
Straight  
(L)

#### Mating Style 7

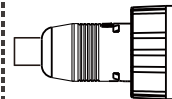


Screw Thread (S)

#### Connector Body(Style) 3

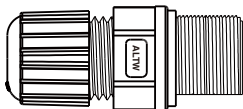


With Strain Relief (A)

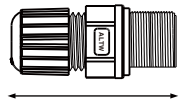


Without Strain Relief (B)

### Field Installable



#### Backshell 8



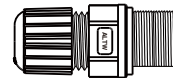
Straight  
(L)

#### Mating Style 7



Screw Thread (S)

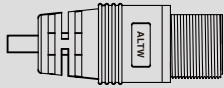
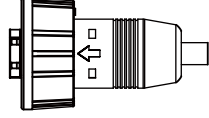
#### Connector Body(Style) 3



Without Strain Relief (B)

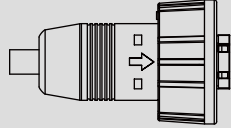
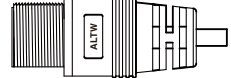
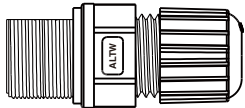
## Find Our Standard Products

### ↘ In-Line

<ul style="list-style-type: none"> <li>• Male Connector (Housing)</li> <li>• Female Contacts</li> <li>• Screw Thread</li> </ul>	Overmolded with Cable	Overmolded with Cable	Field Installable
			
Code	Male Connector (M) Female Contacts (F)	Female Connector (F) Male Contacts (M)	Female Connector (F) Male Contacts (M)
IEEE 1394 A Type (13)	13-AAAMFM-SL7A <del>XX</del> *	13-AABFMM-SL7A <del>XX</del> *	-

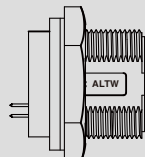
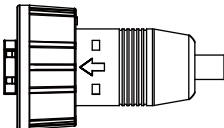
\* ~~XX~~: Choose the cable length from 01~04m

### ↘ In-Line

<ul style="list-style-type: none"> <li>• Female Connector (Housing)</li> <li>• Male Contacts</li> <li>• Screw Thread</li> </ul>	Overmolded with Cable	Overmolded with Cable	Field Installable
			
Code	Female Connector (F) Male Contacts (M)	Male Connector (M) Female Contacts (F)	Male Connector (M) Female Contacts (F)
IEEE 1394 A Type (13)	13-AABFMM-SL7A <del>XX</del> *	13-AAAMFM-SL7A <del>XX</del> *	13-AABMFA-SL8001

\* ~~XX~~: Choose the cable length from 01~04m

### ↘ Receptacle and Mating Pair

<ul style="list-style-type: none"> <li>• Male Connector (Housing)</li> <li>• Female Contacts</li> <li>• Screw Thread</li> </ul>	Receptacle	Overmolded with Cable	Field Installable
			
Code	Male Connector (M) Female Contacts (F)	Female Connector (F) Male Contacts (M)	Female Connector (F) Male Contacts (M)
IEEE 1394 A Type (13)	13-AAPMFP-SC8001	13-AABFMM-SL7A <del>XX</del> *	-

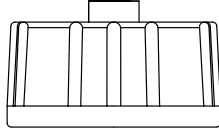
\* ~~XX~~: Choose the cable length from 01~04m

[Note] Design and specification are subject to change without notice.

## Accessories

### Waterproof Cap

■ Customization - Upon Request



6 More to choose: None (A) / With Chain (B) / With Rubber Lead (C) / With Fish Line (D)

Type	Mating Pair	Mating Style	Mating Pair (Gender)	P/N
IEEE 1394	Receptacle	Screw Thread	Male	CAP-WACMSP 6 1
	Receptacle and Overmolded with Cable	Screw Thread	Male	CAP-WACMSMA1



**Amphenol LTW Technology Co., Ltd.**

5F-3, No.51, Sec.4, Zhongyang Rd., Tucheng Dist., New Taipei City 236, Taiwan  
Telephone: +886-2-77416888 Fax: +886-2-77416999  
[www.amphenolltw.com](http://www.amphenolltw.com)

**Kunshan Factory**

No. 62, DaTong Road, Development Zone, Kunshan City, JiangSu Province, 215333 China  
Telephone: +86-512-5761-0501  
Fax: : +86-512-5761-0515

**For further information, please contact :**

Sales & Marketing Department | Email : [sales@ltw-tech.com](mailto:sales@ltw-tech.com)