



CATALOGUE

Fiber Optic Connector



Specification

Identifications	LC Type SC Type
Description	Receptacle Field Installable
Material	Receptacle - Housing: PPO - Screw Nut: Nylon Field Installable - Clamp Ring: PPO - Lock Nut: PPO - Sealing Nut: Nylon
Waterproof Rating	IP67
Temperature Range	Receptacle: -40°C~105°C Field Installable: -40°C~105°C

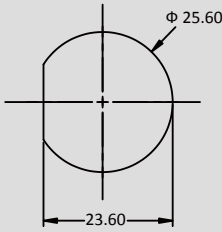
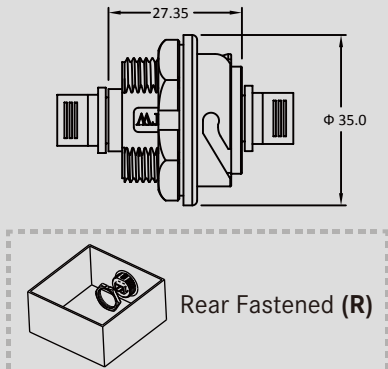
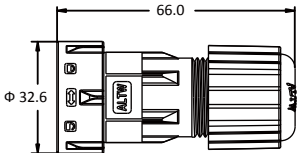
Ordering Information

XX - XX X XX X X - X X XXX
 ① - ② ③ ④ ⑤ ⑥ - ⑦ ⑧ ⑨

1	2	3	4	5	6	7	8	9
(FB) Fiber Optic	(SM) Single - Mode (00) None	(R) Rear Fastened (B) Without Strain Relief	(LM) LC Type / Plug (LF) LC Type / Jack (SM) SC Type / Plug (SF) SC Type / Jack	(J) Put Through (A) Field Installable	(T) 3 Points Lock Bayonet	(C) Circular (L) Straight	(7) IP 67	(001), (002)..... Without Cable : Different Versions

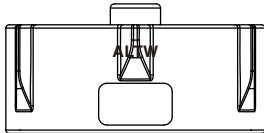
Find Our Standard Products

Receptacle and Mating Pair

<ul style="list-style-type: none"> • Female Connector (Housing) • 3 Points Lock Bayonet Panel Cut-Out 	<p>Receptacle →</p>  <p>Rear Fastened (R)</p>	<p>Field Installable</p> 
Type	Female Connector (F)	Male Connector (M)
LC Type (L)	FB-00RLFJ-TC7001	FB-00BLMA-TL7001 (Cable OD: 2.5~2.8) FB-00BLMA-TL7002 (Cable OD: 4.5~6.8)
SC Type (S)	FB-SMRSFJ-TC7001	FB-00BSMA-TL7001 (Cable OD: 2.4 max)

Accessories

Waterproof Cap

 Customization - Upon Request			
			
Mating Pair	Mating Style	Mating Pair (Gender)	P/N
Receptacle and Overmolded with Cable	3 Points Lock Bayonet	Female	CAP-WFBFTMA1

[Note] Design and specification are subject to change without notice.

Amphenol LTW Technology Co., Ltd.

5F-3, No.51, Sec.4, Zhongyang Rd., Tucheng Dist., New Taipei City 236, Taiwan
Telephone: +886-2-77416888 Fax: +886-2-77416999
www.amphenolltw.com

Kunshan Factory

No. 62, DaTong Road, Development Zone, Kunshan City, JiangSu Province, 215333 China
Telephone: +86-512-5761-0501
Fax: : +86-512-5761-0515

For further information, please contact :

Sales & Marketing Department | Email : sales@ltw-tech.com