



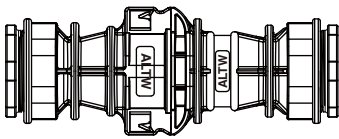
CATALOGUE

Cable Joiner Connector



Range Overview

Field Installable



° Certificate:
ETL: UL6703A
TUV: 2 pfg 1915

M32



M20

Accessories



Specification

Identifications (Cable OD)	6~10 mm, 8~10mm, 10~12mm, 12~16mm
Material	M20: Nylon M32: PPE
Waterproof Rating	IP67
Temperature Range	Field Installable: PPE: -40°C~105°C Nylon: -40°C~105°C

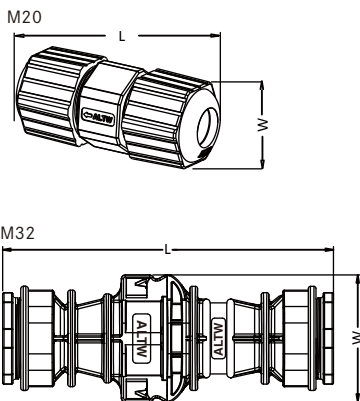
Ordering Information

	1	2	3	4	5	6	7
Specification	(CX) Cable Joiner						
Number of Conductor	(00) None		(04) 4 Conductors				
Connector Body (Style)	(B) For Cable without Strain Relief						
AWG (Terminal)	(B) 14~16AWG		(C) 10~12AWG				
	(O) No Terminal						
Size	(M20) M20						
	(M32) M32						
Waterproof Rating	(7) IP 67						
Jacket OD	(001) 12mm~16mm						
	(002) 10mm~12mm						
	(003) 8mm~16mm						

Physical Dimension

▾ Cable Joiner

Connector Dimension



Size \ Dimension	L	W	Cable OD	AWG (Terminal)
M20	56.0	25.4	6~10	-
M32	130.2	50.0	12~16	-
	130.2	50.0	10~12	-
	130.2	50.0	8~10	-
	130.2	50.0	8~10	14~16
	130.2	50.0	12~16	10~12
	130.2	50.0	10~12	10~12

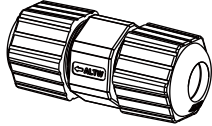
Unit: mm

【Note】 Design and specification are subject to change without notice.

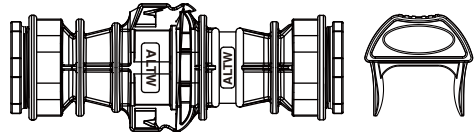
Find Our Standard Products

▾ Cable Joiner

M20



M32



- UV Resistant
- Unlock with tool
- Butt splice terminals optional
- ETL: UL6703A
- TUV: 2 pfg 1915

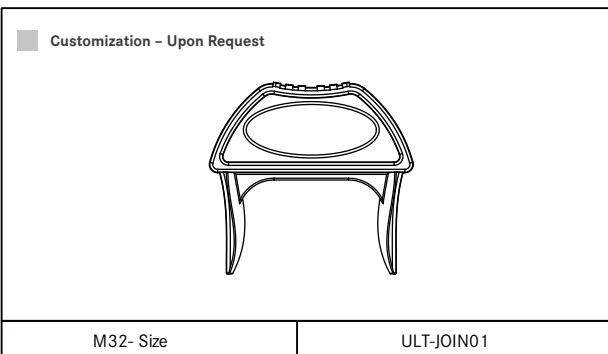
Size	AWG (Terminal)	Part Number
M20	Without Terminal (0)	CX-00B0M20-700 1
M32	14~16 (B)	CX-04BBM32-700 1
	10~12 (C)	CX-04BCM32-700 <u>X</u> *
	Without Terminal (0)	CX-00B0M32-700 <u>X</u> **

* M32 with terminal 10~12 AWG - Choose Cable OD: (1) 12mm ~16mm / (2) 10mm ~12mm

** M32 without terminal - Choose Cable OD: (1) 12mm ~16mm / (2) 10mm ~12mm / (3) 8mm ~10mm

Accessories

▾ Unlock Tool



Memo

Lined writing area consisting of multiple horizontal dashed lines for text entry.



Scan to visit our website

Amphenol LTW Technology Co., Ltd.

5F-3, No.51, Sec.4, Zhongyang Rd., Tucheng Dist., New Taipei City 236, Taiwan
Telephone: +886-2-77416888 Fax: +886-2-77416999
www.amphenolltw.com

Kunshan Factory

No. 62, DaTong Road, Development Zone, Kunshan City, JiangSu Province, 215333 China
Telephone: +86-512-5761-0501
Fax: : +86-512-5761-0515

For further information, please contact :

Sales & Marketing Department | Email : sales@ltw-tech.com