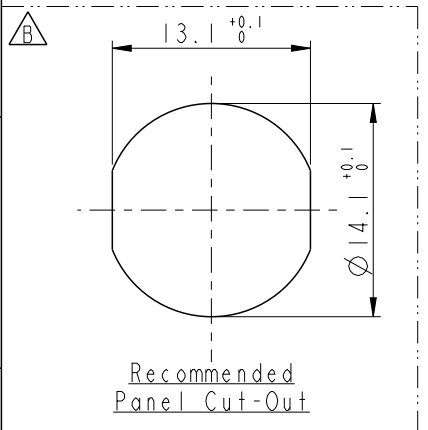
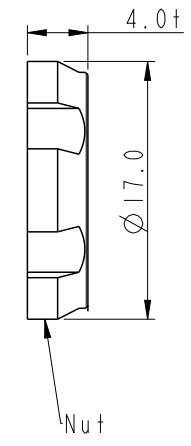
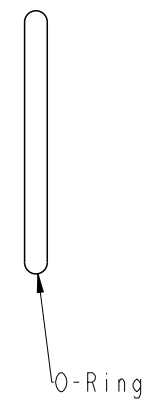
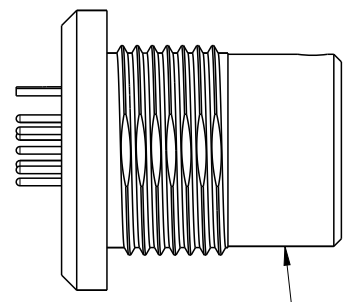
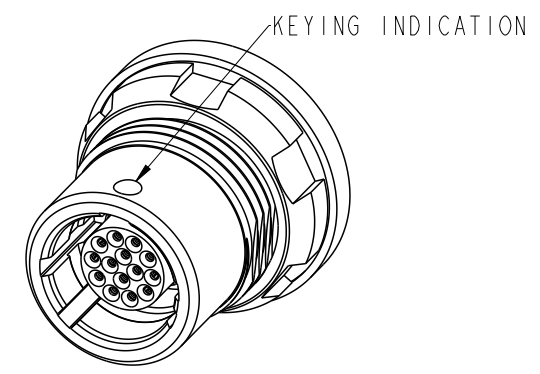
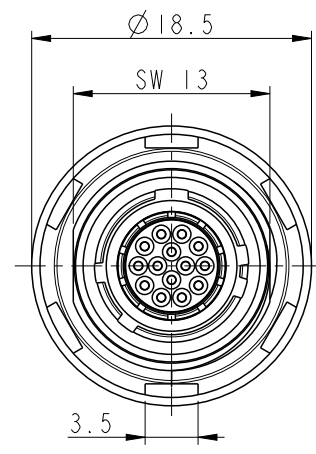
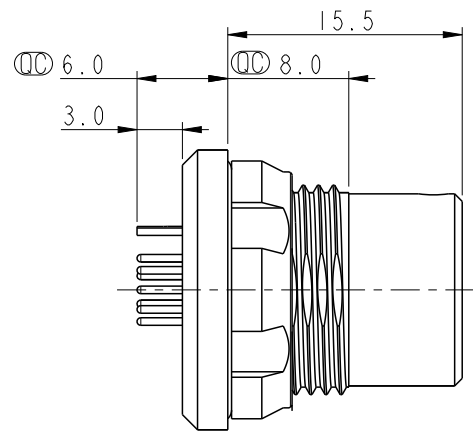


THIS DOCUMENT IS SUBJECT TO CHANGE WITHOUT NOTICE. IT IS CONFIDENTIAL AND A PROPERTY OF Amphenol LTW. DISCLOSURE TO THIRD PARTY HAS TO BE AUTHORIZED BY Amphenol LTW.

REV.	ECN NO.	DATE	SIGN	DESCRIPTION
A		2022/06/17	Wen	Rev.01 to Rev.A
B	C221388	2022/08/30	Wen	$\triangle B$ X1
C	C221978	2022/12/16	Wen	$\triangle C$ X4



- Notes:
- * RoHS Compliant
 - * CC Important Dimensions To Check.
 - * Waterproof Rate: IPX8, Mated 1m/24h
 - * Connector Housing: Thermoplastic, Nature
 - * Pin: Copper Alloy, Gold Plated
 - * O-Ring: Rubber, Black.
 - * Shield: Metal.
 - * Nut: Metal.
 - * O-Ring: Rubber, Gray.
 - * For Panel Thickness Max 3.5mm
 - * Recommended pcb thickness: 1.5mm
 - * Nut & O-ring are packed separately in PE bag.

UNIT: mm		TITLE
TOLERANCE		FLO, DY-SER, SIZE I, PANEL F
.X ± 0.25		S/NUT, F, PCB S
.XX ± 0.1	SCALE	I:1
.XXX ± 0.05	SIZE	A4
ANGLES $\pm 1^\circ$	SHEET	1 OF 2
	REV.	C
	WC-REV.	A.5
	CC	Inspection item

Amphenol LTW
安費諾亮泰企業股份有限公司





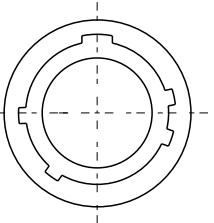
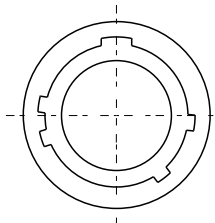
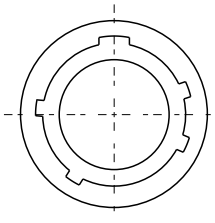
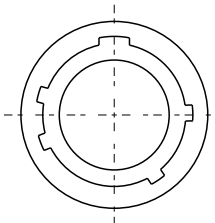
ITEM NO.	DRAWN BY	DATE
	Wen	2022/06/17
DWG NO.	CHECKED BY	DATE
FDYC-XXEFP-XXK-002	Brady Chung	2022/06/17
CUSTOMER	APPROVED BY	DATE
ALTW	Neo Tsai	2022/06/17

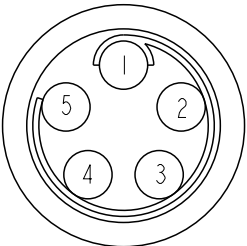
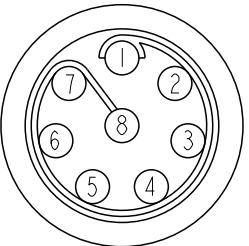
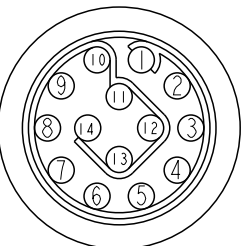
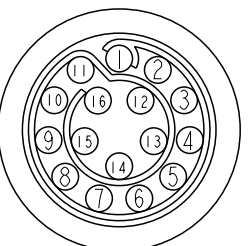
THIS DOCUMENT IS SUBJECT TO CHANGE WITHOUT NOTICE. IT IS CONFIDENTIAL AND A PROPERTY OF Amphenol LTW. DISCLOSURE TO THIRD PARTY HAS TO BE AUTHORIZED BY Amphenol LTW.

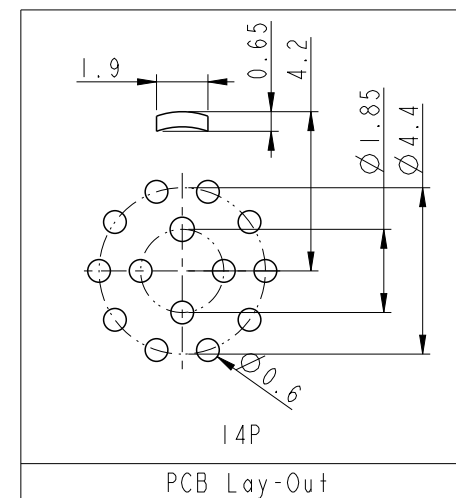
FDYC-XXEFP-XXK-002

_____ Housing Material & Surface Plating Code
 _____ PIN CONFIGURATION
 _____ Connector Size

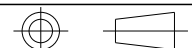
Housing Material & Surface Plating	
U	D
AL ALLOY/RU	AL ALLOY/BK CR

Key Point				
CODE	R (Brown) 	P (Red) 	Q (Blue) 	N (Green) 
GRAPHIC				

Pin Configuration(Solder Definition)				
GRAPHIC				
	5 PIN	8 PIN	14 PIN	16 PIN



UNIT: mm



TITLE FLO, DY-SER, SIZE I, PANEL F
S/NUT, F, PCB S


Amphenol LTW
安費諾亮泰企業股份有限公司

ITEM NO
DWG NO FDYC-XXEFP-XXK-002
CUSTOMER ALTW

DRAWN BY Wen
CHECKED BY Brady Chung
APPROVED BY Neo Tsai

DATE 2022/06/17
DATE 2022/06/17
DATE 2022/06/17

TOLERANCE
 .X ±0.25
 .XX ±0.1
 .XXX ±0.05
 ANGLES ±1°

SCALE 1:1
 REV. C
 SIZE A4
 WC-REV. A.5
 SHEET 2 OF 2
 Inspection item