

Amphenol LTW

RJ45 Connector

**High Speed
Modular Connector**

- Support 2 points lock, 3 points lock, screw thread
- Transmission speed up to Cat 6A (10Gbps)
- Support PoE
- EMI shielding
- IP67 mated or unmated
- Flammability UL 94V-0

Middle Size



3 Points lock, Screw thread
Plastic, Metal

Large Size



2 Points lock. 3 Points lock, Screw thread
Plastic

ODVA



3 Points lock, Screw thread
Plastic

Accessory



Waterproof Cap, I Adaptor,
Patch Cable

Unrivaled InterConnects for Harsh Environments

About ALTW



3

Production Sites
(Taiwan, China, Mexico)



30+

Market Applications



90,000+

Products

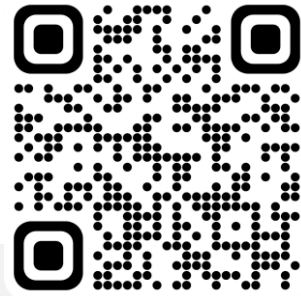
Since 1993, Amphenol LTW Technology “ALTW” lives and breathes to create, innovate, design and produce “***unrivaled interconnects for harsh environments***”. With over 300 worldwide patents, not only does ALTW offer the broadest and widest range of rugged interconnects in the industry but also customization with the mission of “Customer Satisfaction First”. Undoubtedly, ALTW is the leader in rugged interconnects, highly recognized for its uncompromising quality, short lead time, fast and tailored service and its very competitive pricing.

Regardless of the challenging environments that your products will be subject to; there is a very good chance that you will find what you are looking for with ALTW.

RJ Connector

Amphenol LTW's RJ45 series connectors meet the Ethernet/IP RJ45 requirements and standards. Support Cat5e & Cat6A data transmission speed & IP67 waterproof rating, our RJ45 connectors are suitable for industrial Ethernet applications.

- ❖ Transmission speed up To Cat. 6A (10Gbps)
- ❖ Support PoE
- ❖ EMI Shielding
- ❖ IP67 mated or unmated
- ❖ UL certified
- ❖ RoHS & REACH compliant



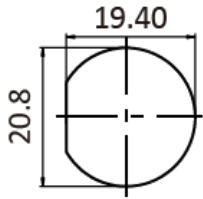
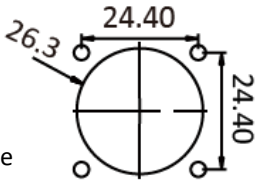
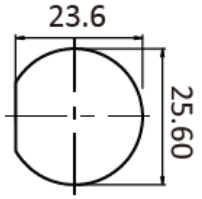
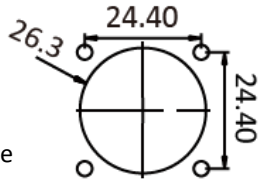
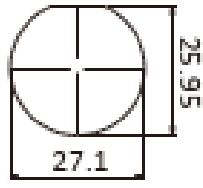
Product Range Overview

SUB SERIES	Middle Size	Large Size	ODVA
Mating Style	3 Points Lock, Screw Thread	2 Points Lock, 3 Points Lock, Screw Thread	3 Points Lock, Screw Thread
Plastic Version	✓	✓	✓
Metal Version	✓	-	-
Operating Voltage (AC/DC)	44 ~ 57V	44 ~ 57V	44 ~ 57V
Nominal Current	1.5A	1.5A	1.5A
Operating Temperature	Receptacle: -40°C ~ 105°C Receptacle with Cable: -20°C ~ 80°C Overmolded With Cable: -20°C ~ 80°C Field Serviceable/Installable: -40°C ~ 105°C		
Fasten Style of Nut	Front	Front	Front / Rear
Receptacle	✓	✓	✓
Receptacle with Cable	✓	✓	-
Field Serviceable/Installable	✓	✓	✓
Overmolded with Cable	✓	✓	✓
Accessories	✓	✓	✓
Mating Cycles (Pin Contact)	750	750	750
IP Rating	IP67	IP67	IP67
Salt Spray (Connector, Mated)	48h	48h	48h
Transmission Speed	Cat 6A, Cat 5e	Cat 5e	Cat 5e
UV Resistant	✓	✓	✓
Flammability Rating	UL94V-0	UL94V-0	UL94V-0
Vibration Resistant	Frequency Range 10 ~ 55Hz / Amplitude 1.52mm		
EMI Option	✓	✓	✓
RoHS Compliant	✓	✓	✓
REACH Compliant	✓	✓	✓
Certifications	UL1863	-	-
Applicable Wire Gauge	24AWG	24AWG	24AWG

Served Markets & Applications

Market	Application	
LED Lighting	<ul style="list-style-type: none"> • Architectural Lighting • Residential, Medical, and Commercial Lighting • Street, Parking, Park, and Tunnel Lighting • Entertainment and Signage Lighting 	<ul style="list-style-type: none"> • Horticulture, Grow, & Warehouse Lighting • Mass Transportation and Vehicles • Appliances and Equipment Lighting
Marine	<ul style="list-style-type: none"> • Navigation System: Radar, GPS, Sonar, Fish-finder, Auto-pilot, Chart Plotter • Communication: Radio, AIS, SCS 	<ul style="list-style-type: none"> • Instrumentation & Monitoring: MFD, CCTV, Sensors • Motors: Outboard, Inboard, Pump, Actuator, Trolling
Broadband Wireless Access	<ul style="list-style-type: none"> • Access Point: LTE, 5G • Cellular, Subscriber, and Mobile Station 	<ul style="list-style-type: none"> • Wireless Router and Mobile Backhaul • Other Communication Equipment
Industrial Automation	<ul style="list-style-type: none"> • Data Communication: Router, Switches • Industrial PC, Counters, and Display 	
Renewable Energy	<ul style="list-style-type: none"> • Photo Voltaic (PV), Concentrated Solar Power (CSP) • Device Communication and Tracker 	<ul style="list-style-type: none"> • Energy Storage and Portable Energy
Heavy Equipment	<ul style="list-style-type: none"> • Navigation System: GPS, Lidar, Radar, Ultrasonic • Instrumentation, Control, and Diagnostic Systems • Monitoring: Display, Camera, Imaging 	<ul style="list-style-type: none"> • Safety System: Sensor, ADAS, Telematics & Tracking • Communication and Electronic Toll Systems
Autometer	<ul style="list-style-type: none"> • Metering: Water, Electric, & Gas Meter • Power and Control: Drone, Security Alarm 	<ul style="list-style-type: none"> • Monitoring: Sewage, Telemetry, and Vehicle Tracking
Test Equipment	<ul style="list-style-type: none"> • Measuring Device: Air, Humidity, Light, Sound, Water, Image, Weight, Height • Detectors: Gas, Fire, Leak, Motion, Heat • Monitoring: Seismic (earthquake), Climatic 	<ul style="list-style-type: none"> • Weighing: Weigh, In-motion • Geodetic System: Surveying, Laser Marking, Borroscope
Hybrid Electric Vehicles	<ul style="list-style-type: none"> • Motor Module: Scooter, Hoover board • Safety System: Speed, Throttle, Gear • Power System: Controller, Battery 	<ul style="list-style-type: none"> • Sensors: Speedometer, Fuel, Cleaning • Device Communication: CAN, In-vehicle Info • Lighting: Interior and Exterior LED
Railway Mass Transit	<ul style="list-style-type: none"> • Navigation: GPS, Radar, Lidar, Ultrasonic • HVAC • Infotainment: Display, Sound, Broadcasting, Monitor 	<ul style="list-style-type: none"> • Sensors: Speedometer, Fuel, Cleaning • Communication: Main Controller, In-vehicle Info • Lighting: Interior and Exterior
Transpo	<ul style="list-style-type: none"> • Communication: Wifi, router, Fleet Management • Navigation: GPS, Radar 	
Medical Equipment	<ul style="list-style-type: none"> • Diagnostic: MRI, CT Scan, Ultrasound, X-ray • Monitoring: ECG, Holter, Blood Pressure, Sugar 	
Automotive Diagnostics	<ul style="list-style-type: none"> • Auto-crash Detection & Notification System • Roadside Assistance System 	<ul style="list-style-type: none"> • Remote Diagnostics
UAV	<ul style="list-style-type: none"> • Drone: Commercial, Consumer, & Military 	
Lifts & Materials Handling	<ul style="list-style-type: none"> • Forklift, Industrial Lift, Material Handling 	
Remote Video Response Center	<ul style="list-style-type: none"> • Monitoring: Display ,CCTV, Dome, IP Camera • Detection: Auto-License Plate Recognition, Alarm • Identification: Face Detection, Encoders 	<ul style="list-style-type: none"> • Remote Control Devices and Sensors • Peripherals: Junction Boxes and Cabling System • Lighting: Interior and Exterior
Autonomous	<ul style="list-style-type: none"> • Navigation & Sensor: GPS, Ultrasonic, IMU • Imaging: Cameras, Monitors, Infotainment Display 	<ul style="list-style-type: none"> • Controller: Central Computer
Communication	<ul style="list-style-type: none"> • Transmitter and Receiver Equipment • Data: Router and Switches • Base Station and Access Point 	<ul style="list-style-type: none"> • High Bandwidth: Multiplexer & Demultiplexer • Audio: VoIP, Telephone

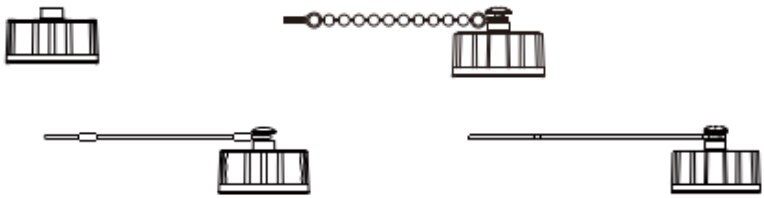
Panel Cut-Out & Accessory

(unit: mm) Middle Size	<ul style="list-style-type: none"> ✓ 3 Points Lock ✓ Screw Thread 	Circular Flange 	Square Flange 
Large Size	<ul style="list-style-type: none"> ✓ 2 Points Lock ✓ 3 Points Lock ✓ Screw Thread 	Circular Flange 	Square Flange 
ODVA	<ul style="list-style-type: none"> ✓ 3 Points Lock ✓ Screw Thread 	Circular Flange 	

(click the image to find more product information)


Waterproof Cap

- ✓ Cap only
- ✓ With rubber lead
- ✓ With chain
- ✓ With fish line

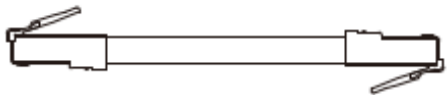


I Adaptor

- ✓ Feed-Thru
- ✓ Jack 180°



Patch Cable





Amphenol LTW

Contact Us

Luc Kan | Sales & Marketing | luc@ltw-tech.com

Customer Service | sales@ltw-tech.com

Follow Us

