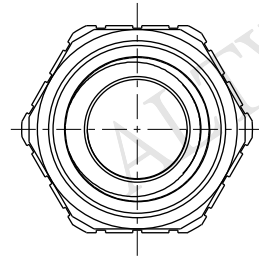
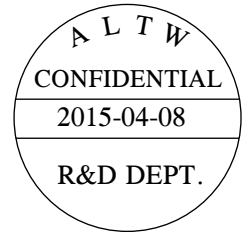
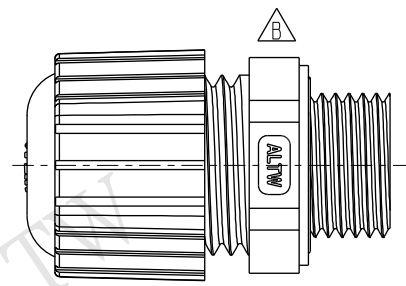
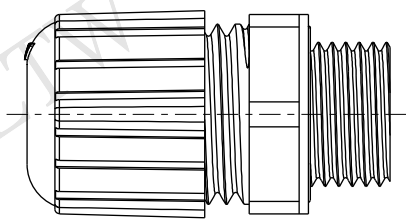
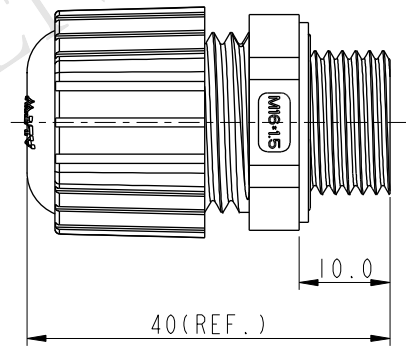
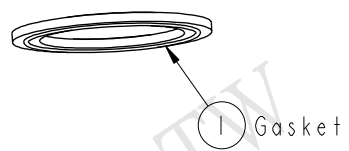
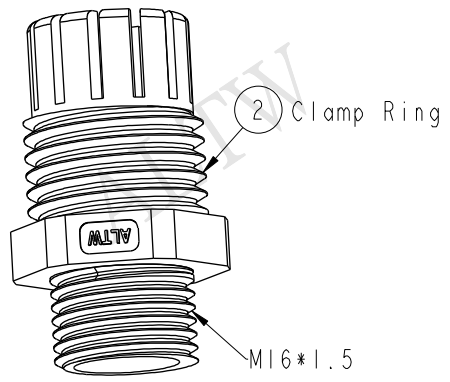
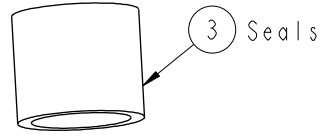
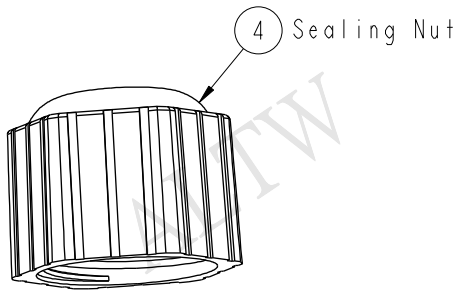


REV.	ECN NO.	DATE	SIGN	DESCRIPTION
B	LEN1560188	2015/04/08	Ruru	Change Logo



- Note:
- * Waterproof Rate: IP68
 - * Gasket: EPDM, Black
 - * Clamp Ring: Nylon, Gray
 - * Seals: EPDM, Black
 - * Sealing Nut: Nylon, Gray
 - * Cable Range: $\varnothing 6.0 \sim \varnothing 10.0 \text{mm}$

UNIT: mm		
TOLERANCE	.X ± 0.25	.XX ± 0.1
	.XXX ± 0.05	ANGLES $\pm 1^\circ$

TITLE M16 Cable Gland Assy Gray For Short Type			
SCALE 4:5	SIZE A4	SHEET 1 OF 1	
REV. B	WC-REV. A.1	QC: Inspection item	

Amphenol LTW
安費諾亮泰企業股份有限公司

ITEM NO. CSG-16M005	DRAWN BY Ruru	DATE 2015-04-08
DWG NO. CSG-16M005	CHECKED BY Rita	DATE 2015-04-08
CUSTOMER ALTW	APPROVED BY Lion	DATE 2015-04-08

THIS DOCUMENT IS SUBJECT TO CHANGE WITHOUT NOTICE. IT IS CONFIDENTIAL AND A PROPERTY OF AMPHENOL LTW. DISCLOSURE TO THIRD PARTY HAS TO BE AUTHORIZED BY AMPHENOL LTW.