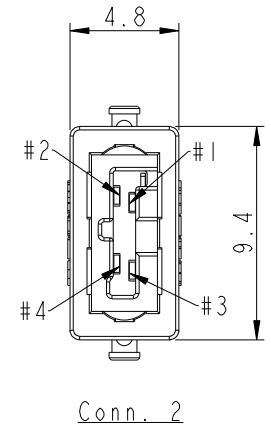
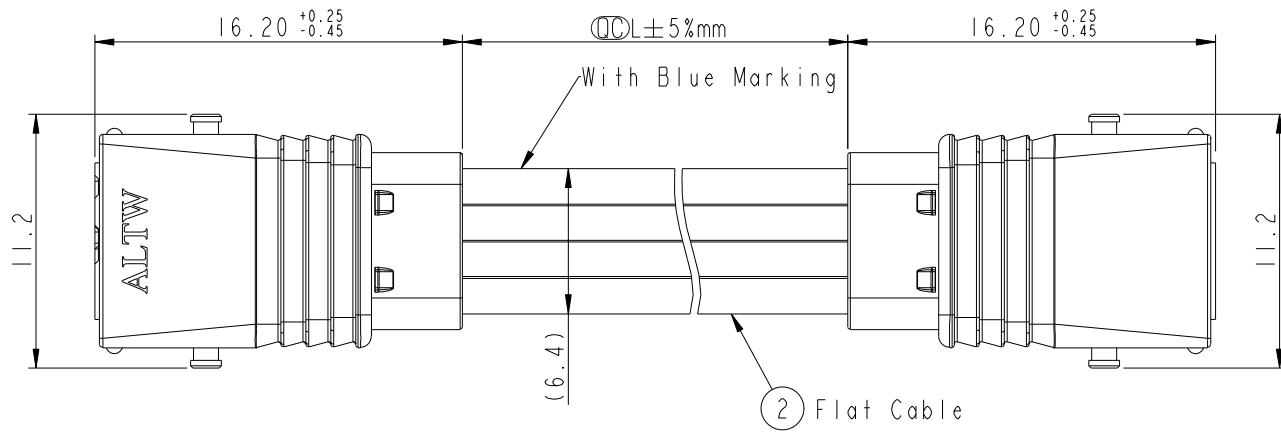
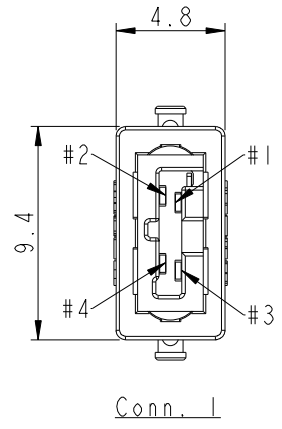
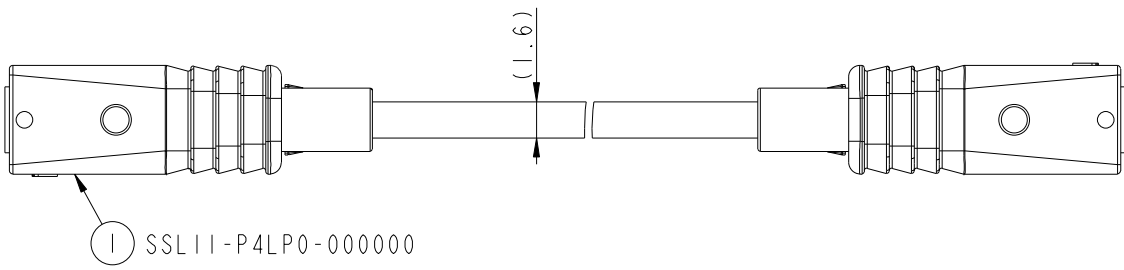
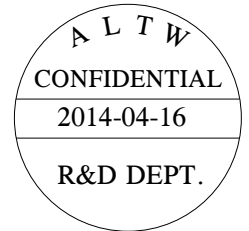


REV.	ECN NO.	DATE	SIGN	DESCRIPTION
A	Initial Release	2014-04-16	Fisher	Initial Release



SSL11-J4L2J-022DXX

06: L=600mm.  
Cable Length Range(L): 100~9900 mm

22: 22AWG  
LOCK&LATCH OPTION  
0: W/O LOCK

- Notes:
- \*  $\text{CC}$  Important Dimensions To Check.
  - \* Housing: Thermoplastic, UL94V-0, Natural White.
  - \* Terminal: Copper Alloy, Gold Plated.
  - \* Hood: Thermoplastic, UL94V-0, Natural White.
  - \* SR Mold: PP, UL94V-0, Natural White.
  - \* Flat Cable: UL21016, 4F \* 22AWG, XLPE Insulation, White

4	White	白色	4
3	White	白色	3
2	White	白色	2
1	Blue Mark	藍色	1
Conn. 1	Wire Color		Conn. 2
Pin Out			

UNIT:mm		TITLE	SSL11 Flat Cable, 4-Pos. W/O Lock, Jack to Jack	
TOLERANCE		SCALE	SIZE	SHEET
.X $\pm 0.25$		3:1	A4	1 OF 1
.XX $\pm 0.1$		REV.	WC-REV.	
.XXX $\pm 0.05$		A	A.1	$\text{CC}$ : Inspection item
ANGLES $\pm 1^\circ$				

**Amphenol LTW**  
安費諾亮泰企業股份有限公司

ITEM NO	DRAWN BY	DATE
	Fisher_Wang	2014-04-16
DWG NO	CHECKED BY	DATE
SSL11-J4L2J-022DXX	Ivan_Lin	2014-04-16
CUSTOMER	APPROVED BY	DATE
ALTW	Kevin_Hu	2014-04-16

THIS DOCUMENT IS SUBJECT TO CHANGE WITHOUT NOTICE. IT IS CONFIDENTIAL AND A PROPERTY OF Amphenol LTW. DISCLOSURE TO THIRD PARTY HAS TO BE AUTHORIZED BY Amphenol LTW.