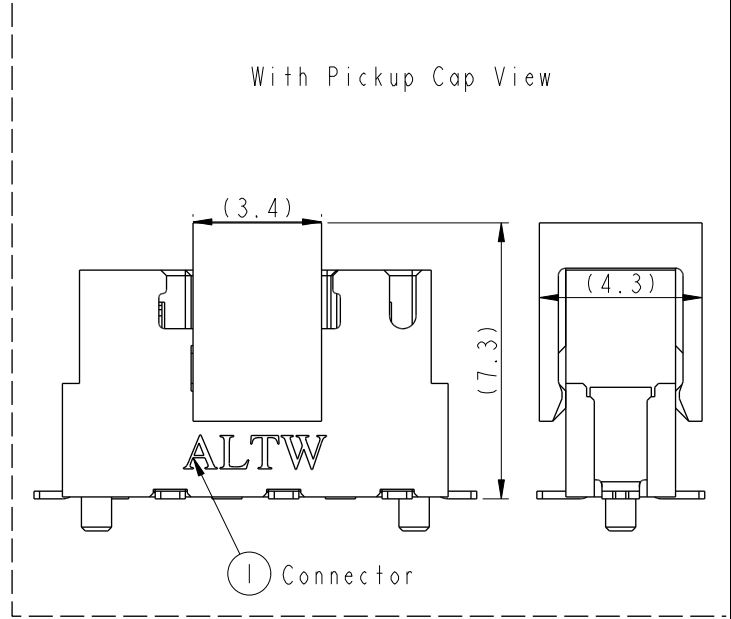
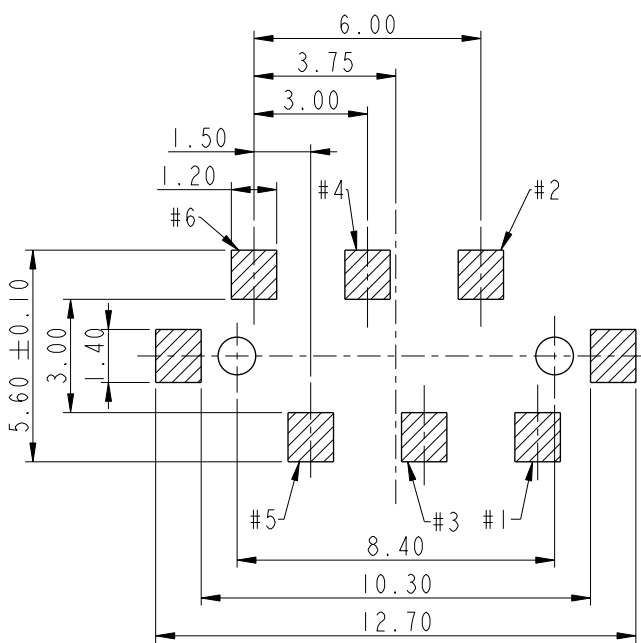
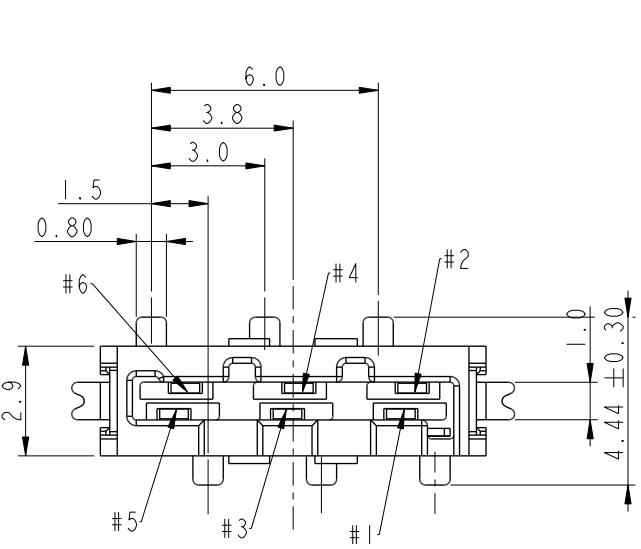
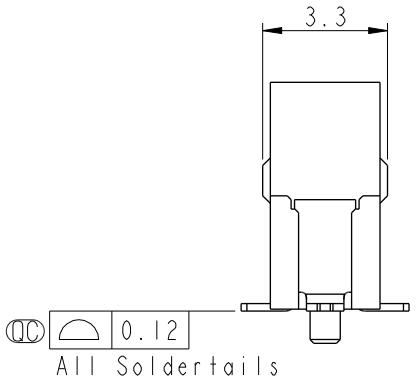
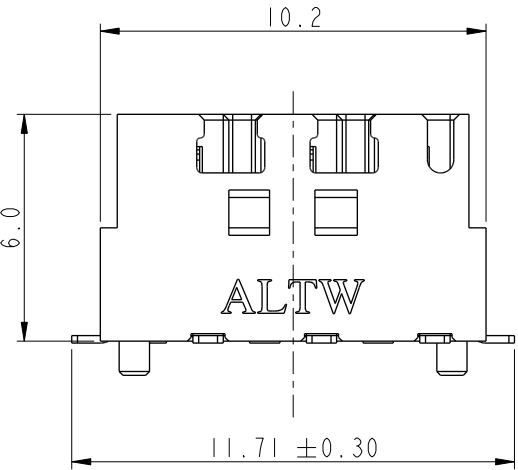


REV.	ECN NO.	DATE	SIGN	DESCRIPTION
C	C192063	2019-12-03	NianPing Yu	X1
D	C220940	2022-06-20	Ruru	X3



RECOMMENDED P.C.B. LAYOUT  
GENERAL TOLERANCE IS ±0.05



- Notes:
- \*  $\text{Ⓞ}$  Important Dimension To Check.
  - \* Housing: High temperature thermoplastic. UL94V-0, color is Natural white.
  - \* Pickup Cap: High temperature thermoplastic. UL94V-0, color is Black.
  - \* Terminal: Copper Alloy, Gold Plated on contact area, Tin plated on solder tails.
  - \* Solder Peg: Copper Alloy, Tin plated over Nickel.

UNIT: mm	$\text{Ⓞ}$	TITLE SSL, I.1 NON WP, F, 6P SMT S W/POST, NONE
TOLERANCE .X ±0.25 .XX ±0.1 .XXX ±0.05 ANGLES ±1°	SCALE 5:1	SIZE A4
	REV. D	SHEET 1 OF 2
	WC-REV. A.3	$\text{Ⓞ}$ : Inspection item

**Amphenol LTW**  
安費諾亮泰企業股份有限公司

ITEM NO. SSL11-J6A00-000001	DRAWN BY NianPing Yu	DATE 2019-08-27
DWG NO. SSL11-J6A00-000001	CHECKED BY Fisher Wang	DATE 2019-08-27
CUSTOMER ALTW	APPROVED BY Max Yang	DATE 2019-08-27

THIS DOCUMENT IS SUBJECT TO CHANGE WITHOUT NOTICE. IT IS CONFIDENTIAL AND A PROPERTY OF Amphenol LTW. DISCLOSURE TO THIRD PARTY HAS TO BE AUTHORIZED BY Amphenol LTW.

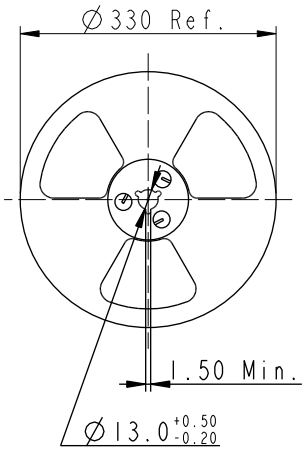
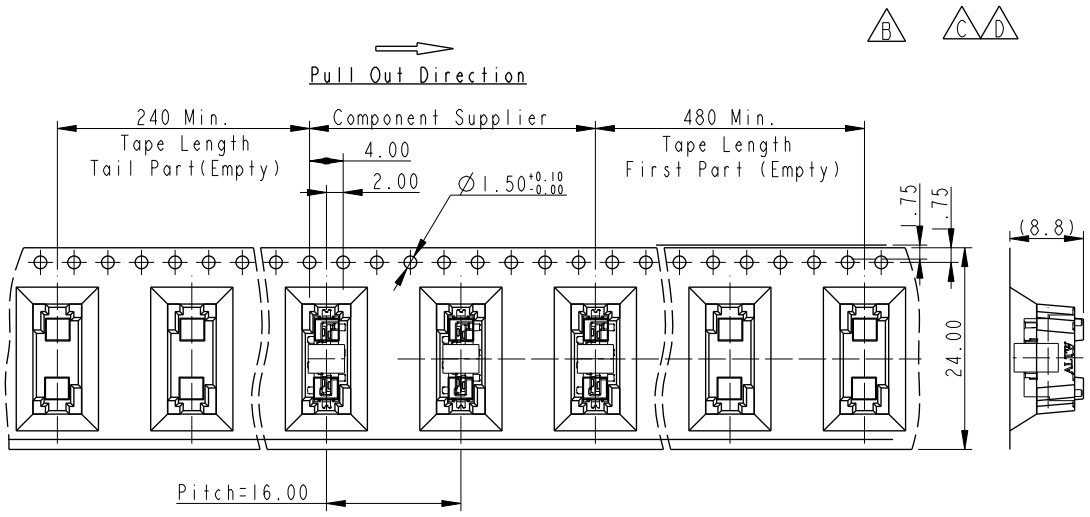
THIS DOCUMENT IS SUBJECT TO CHANGE WITHOUT NOTICE. IT IS CONFIDENTIAL AND A PROPERTY OF Amphenol LTW. DISCLOSURE TO THIRD PARTY HAS TO BE AUTHORIZED BY Amphenol LTW.

**MATERIALS**

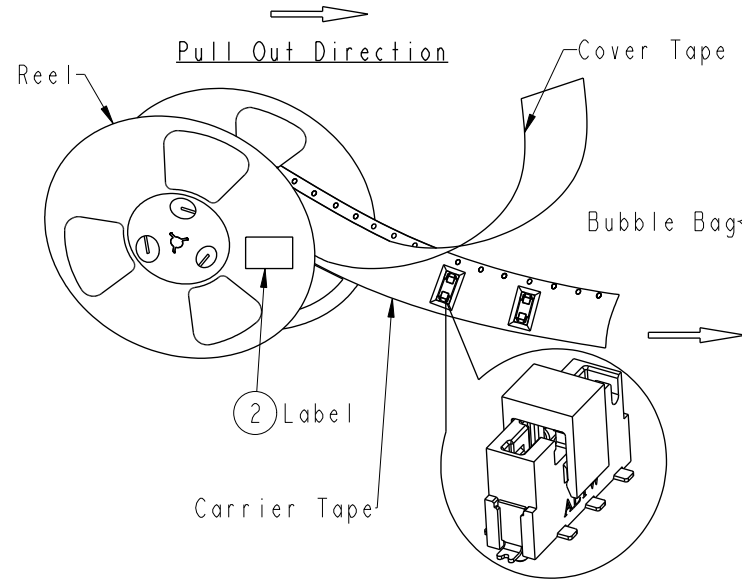
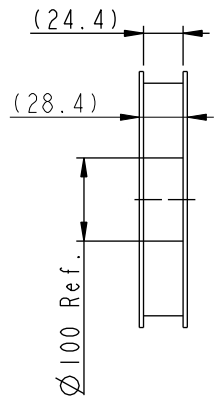
1. Carrier Tape: Polystyren (PS)
2. Cover Tape: Polystyren (PS)
3. Reel: Polystyren (PS)

**QUANTITY**

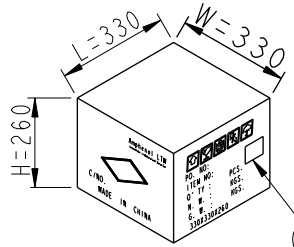
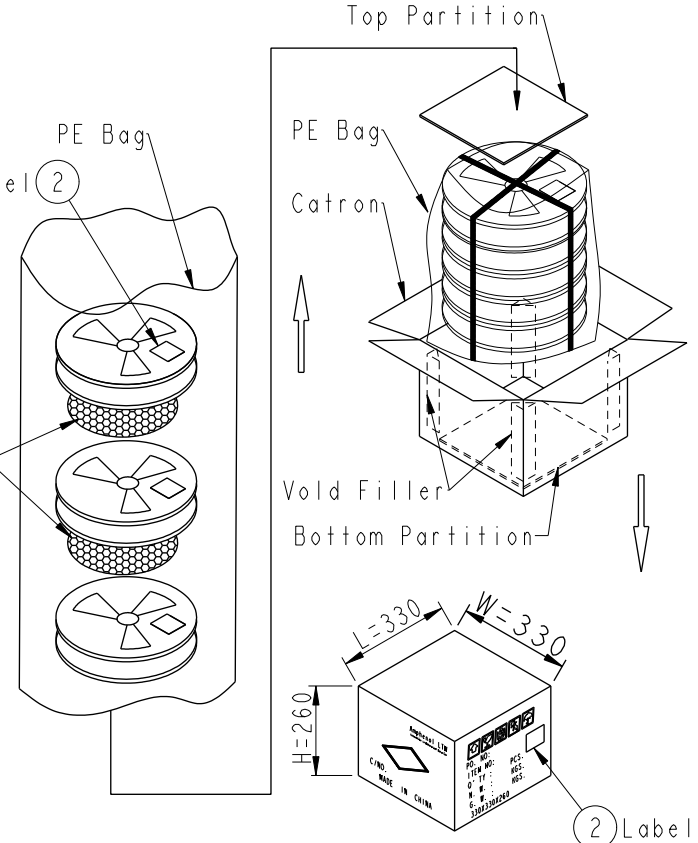
1. 400Pcs Per Reel
2. 8 Reel Per Carton (3200Pcs/Carton)
3. Reference Standard: EIA-481-D
4. Net Weight: 0.9Kg/Carton.
5. Gross Weight: 4.3Kg/Carton.



Reel For Carrier Tape



Carrier Tape



UNIT: mm		
TOLERANCE		
.X	±0.25	
.XX	±0.1	
.XXX	±0.05	
ANGLES	±1°	

TITLE SSL, I.1 NON WP, F, 6P SMT S W/POST, NONE			
SCALE 1:1	SIZE A4	SHEET 2 OF 2	
REV. D	WC-REV. A.5	QC: Inspection item	

**Amphenol LTW**  
安費諾亮泰企業股份有限公司

ITEM NO SSL11-J6A00-000001	DWG NO SSL11-J6A00-000001	CUSTOMER ALTW
-------------------------------	------------------------------	------------------

DRAWN BY NianPing Yu	CHECKED BY Fisher Wang	APPROVED BY Max Yang
-------------------------	---------------------------	-------------------------

DATE 2019-08-27	DATE 2019-08-27	DATE 2019-08-27
--------------------	--------------------	--------------------