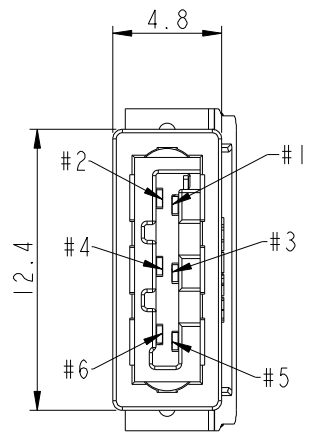
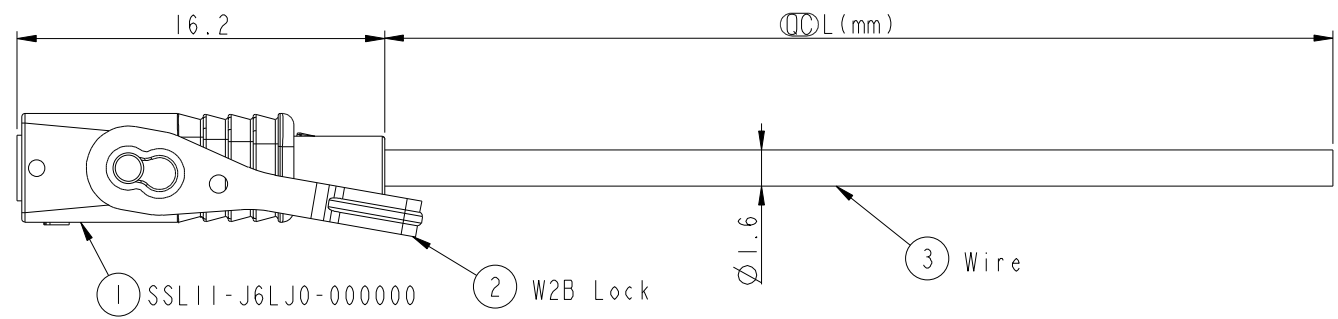
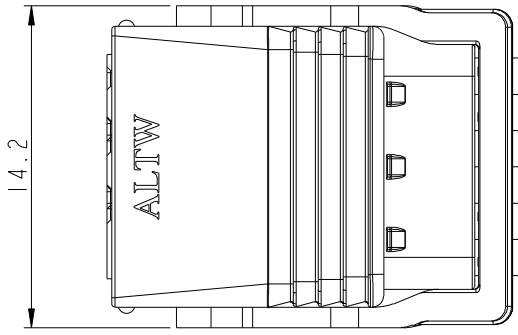


REV.	ECN NO.	DATE	SIGN	DESCRIPTION
A	Initial Release	2014-02-08	Fisher	Initial Release

ALTW  
CONFIDENTIAL  
2014-02-08  
R&D DEPT.



Conn. 1



14.2

Brown
Red
Orange
Yellow
Green
Blue

ALTW  
DCC. DEPT.  
CONFIDENTIAL  
2014.02.13  
ISSUED

6	Blue	藍
5	Green	綠
4	Yellow	黃
3	Orange	橙
2	Red	紅
1	Brown	棕
Conn. 1	Wire Color	
Pin Out		

SSLII-J6LJ0-B22AXX

- 01: L=100±20 mm.
- 02: L=200±20 mm.
- 04: L=400±25 mm.
- Standard Length is 400mm
- Wire Length Range(L): 100~9900mm
- 22: 22AWG
- LOCK&LATCH OPTION
- B: WITH W2B LOCK

- Notes:
- \*  $\varnothing$  Important Dimensions To Check.
  - \* Housing: Thermoplastic, UL94V-0, Natural White.
  - \* Terminal: Copper Alloy, Gold Plated.
  - \* Hood: Thermoplastic, UL94V-0, Natural White.
  - \* SR Mold: PP, UL94V-0, Natural White.
  - \* W2B Lock: Thermoplastic, UL94V-0, Natural White.
  - \* Wire: UL1430 22AWG, Brown/Red/Orange/Yellow/Green/Blue.
  - \* Wire Length Tolerance: ±5%mm.

UNIT:mm			TITLE SSLII WIRE ASS'Y, WITH W2B LOCK 6-POS, JACK TO OPEN
TOLERANCE .X ±0.25 .XX ±0.1 .XXX ±0.05 ANGLES ±1°	SCALE 3:1	SIZE A4	SHEET 1 OF 1
REV. A	WC-REV. A.9	$\varnothing$ : Inspection item	

**Amphenol LTW**  
安費諾亮泰企業股份有限公司

ITEM NO	DRAWN BY Fisher_Wang	DATE 2014-02-08
DWG NO SSLII-J6LJ0-B22AXX	CHECKED BY Ivan_Lin	DATE 2014-02-08
CUSTOMER ALTW	APPROVED BY Kevin_Hu	DATE 2014-02-08

THIS DOCUMENT IS SUBJECT TO CHANGE WITHOUT NOTICE. IT IS CONFIDENTIAL AND A PROPERTY OF AMPHENOL LTW. DISCLOSURE TO THIRD PARTY HAS TO BE AUTHORIZED BY AMPHENOL LTW.