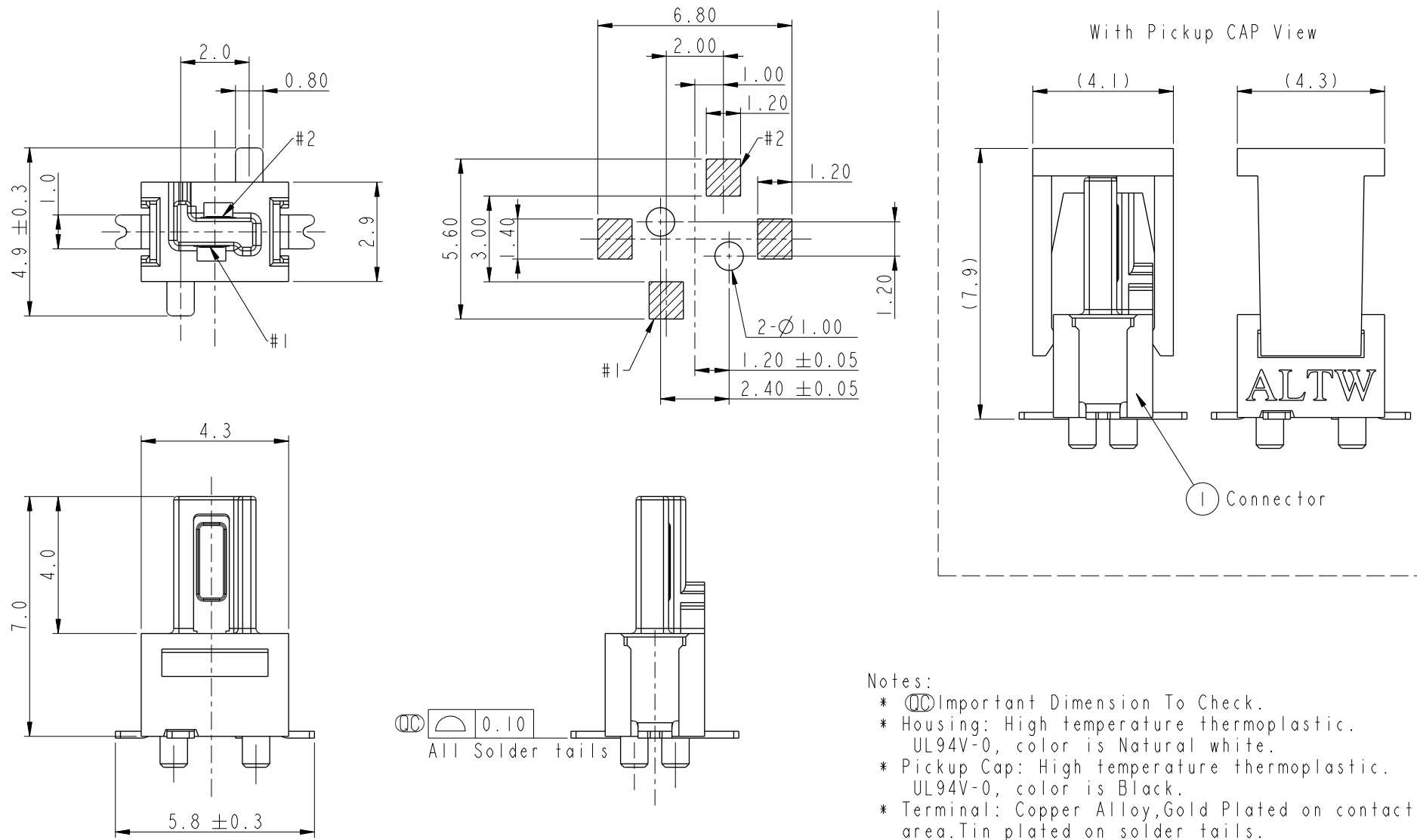


THIS DOCUMENT IS SUBJECT TO CHANGE WITHOUT NOTICE. IT IS CONFIDENTIAL AND A PROPERTY OF AMPHENOL LTW. DISCLOSURE TO THIRD PARTY HAS TO BE AUTHORIZED BY AMPHENOL LTW.

REV.	ECN NO.	DATE	SIGN	DESCRIPTION
C	C192063	2019-12-03	NianPing Yu	X1
D	C220940	2022-06-20	Ruru	X2



- Notes:
- * Important Dimension To Check.
 - * Housing: High temperature thermoplastic.
UL94V-0, color is Natural white.
 - * Pickup Cap: High temperature thermoplastic.
UL94V-0, color is Black.
 - * Terminal: Copper Alloy, Gold Plated on contact area. Tin plated on solder tails.
 - * Solder Peg: Copper Alloy, Tin plated over Nickel.

UNIT: mm			TITLE SSL, 1.1 NON WP, M, 2P SMT S W/POST, NONE
TOLERANCE .X ±0.25 .XX ±0.1 .XXX ±0.05 ANGLES ±1°	SCALE 6:1	SIZE A4	SHEET 1 OF 2
	REV. D	WC-REV. A.10	Inspection item

Amphenol LTW
安費諾亮泰企業股份有限公司

ITEM NO. SSL11-P2A00-000001	DRAWN BY NianPing Yu	DATE 2019-08-29
DWG NO. SSL11-P2A00-000001	CHECKED BY Fisher Wang	DATE 2019-08-29
CUSTOMER ALTW	APPROVED BY Max Yang	DATE 2019-08-29

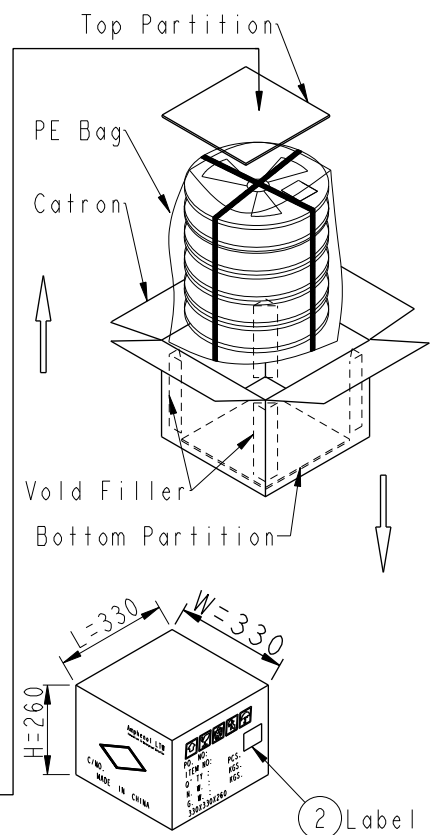
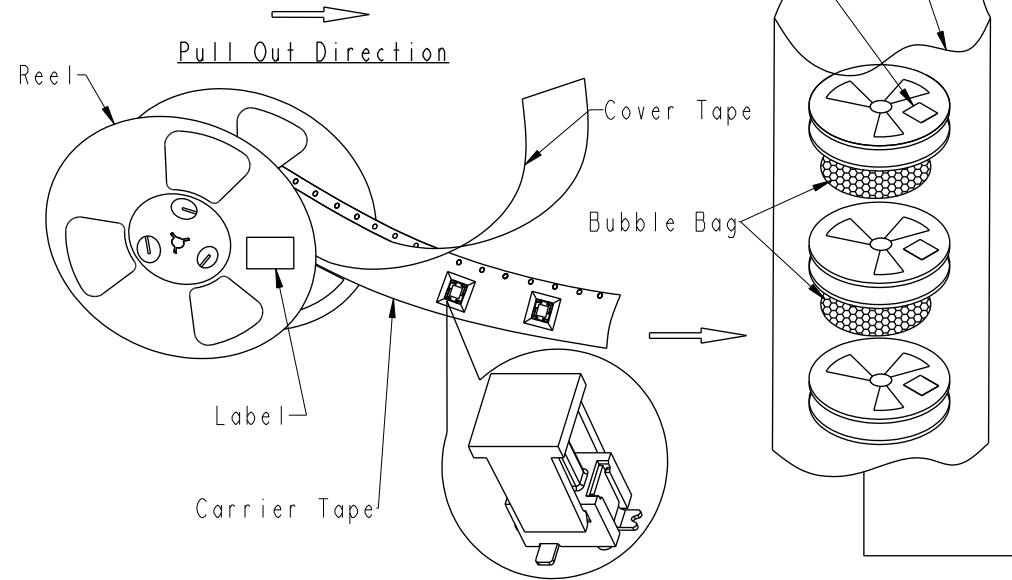
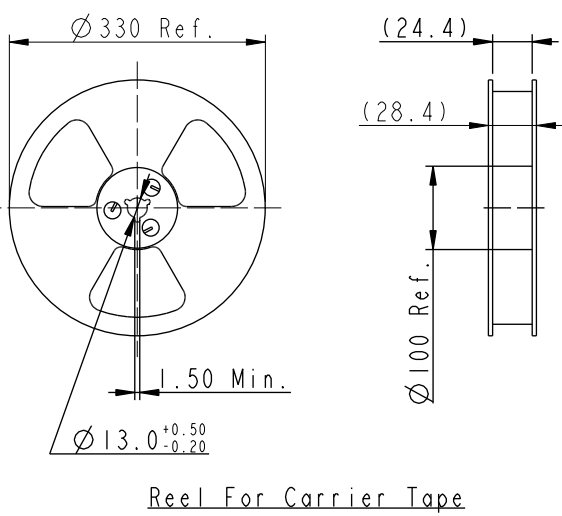
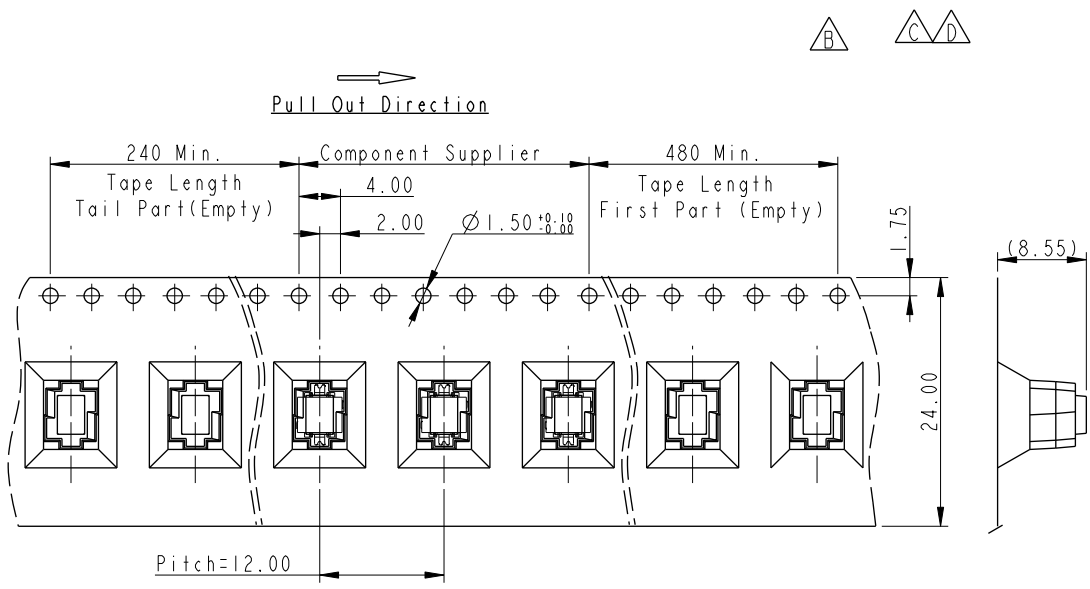
THIS DOCUMENT IS SUBJECT TO CHANGE WITHOUT NOTICE. IT IS CONFIDENTIAL AND A PROPERTY OF Amphenol LTW. DISCLOSURE TO THIRD PARTY HAS TO BE AUTHORIZED BY Amphenol LTW.

MATERIALS

1. Carrier Tape: Polystyren (PS)
2. Cover Tape: Polystyren (PS)
3. Reel: Polystyren (PS)

QUANTITY

1. 500Pcs Per Reel
2. 8 Reel Per Carton (4000Pcs/Carton)
3. Reference Standard: EIA-481-D
4. Net Weight: 0.5Kg/Carton.
5. Gross Weight: 3.9Kg/Carton.



UNIT: mm		TITLE SSL, 1.1 NON WP, M, 2P SMT S W/POST, NONE
TOLERANCE .X ±0.25 .XX ±0.1 .XXX ±0.05 ANGLES ±1°	SCALE 1:1	SIZE A4
	REV. D	SHEET 2 OF 2
	WC-REV. A.10	QC: Inspection item

Amphenol LTW
安費諾亮泰企業股份有限公司

ITEM NO SSL11-P2A00-000001	DRAWN BY NianPing Yu	DATE 2019-08-29
DWG NO SSL11-P2A00-000001	CHECKED BY Fisher Wang	DATE 2019-08-29
CUSTOMER ALTW	APPROVED BY Max Yang	DATE 2019-08-29