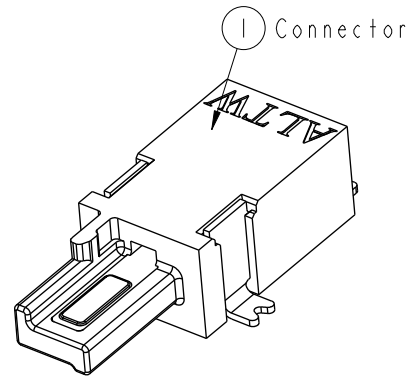
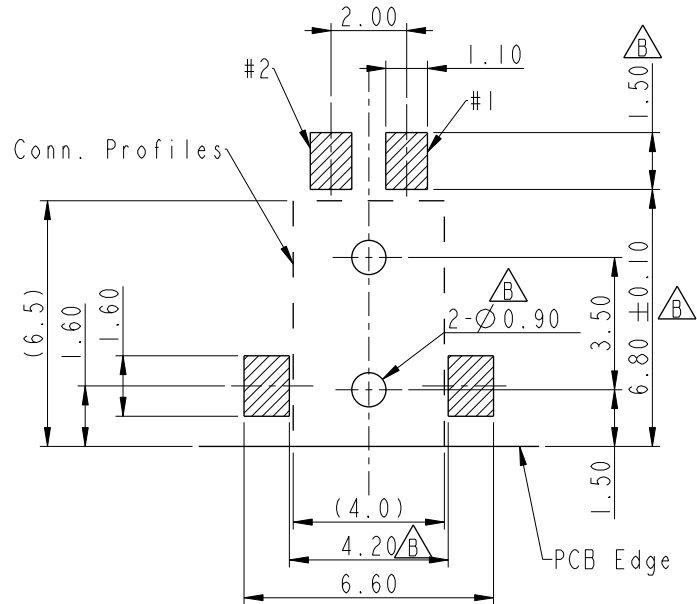
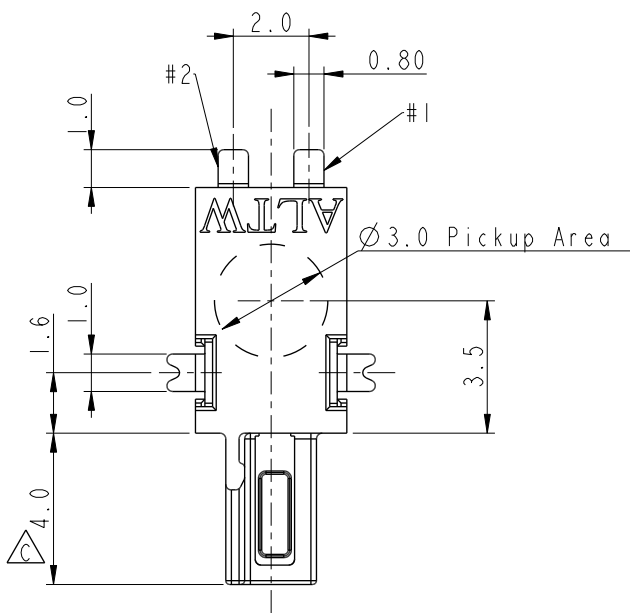
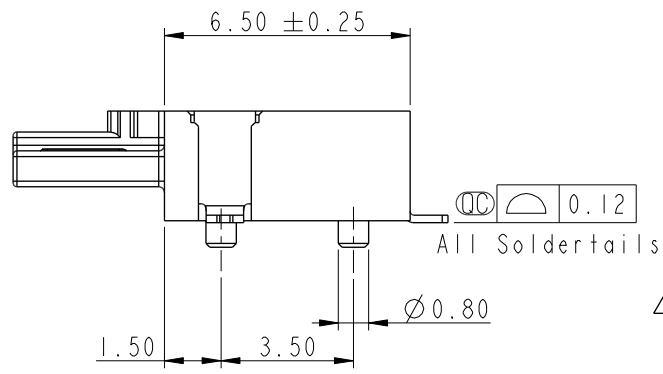
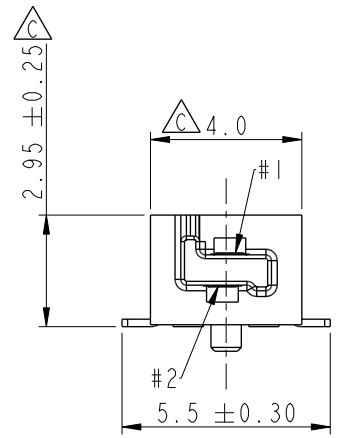


THIS DOCUMENT IS SUBJECT TO CHANGE WITHOUT NOTICE. IT IS CONFIDENTIAL AND A PROPERTY OF Amphenol LTW. DISCLOSURE TO THIRD PARTY HAS TO BE AUTHORIZED BY Amphenol LTW.

REV.	ECN NO.	DATE	SIGN	DESCRIPTION
D	C191496	2019-08-30	NianPing Yu	Add UL Label
E	C192063	2019-12-03	NianPing Yu	△E X1
F	C220940	2022-06-22	Ruru	△F X3



RECOMMENDED P.C.B. LAYOUT
GENERAL TOLERANCE IS ±0.05



- Notes:
- * ⊕ Important Dimension To Check.
 - * Housing: High temperature thermoplastic. UL94V-0, color is Natural white.
 - * Terminal: Copper Alloy, Gold Plated on contact area. Tin plated on solder tails.
 - * Solder Peg: Copper Alloy, Tin plated over Nickel.

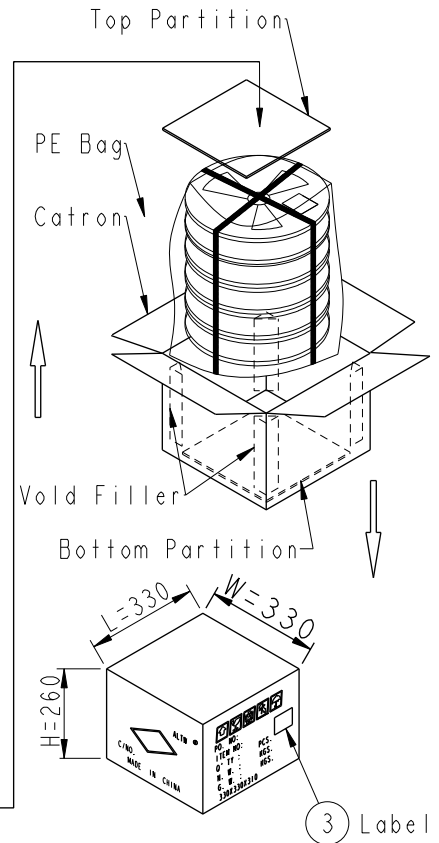
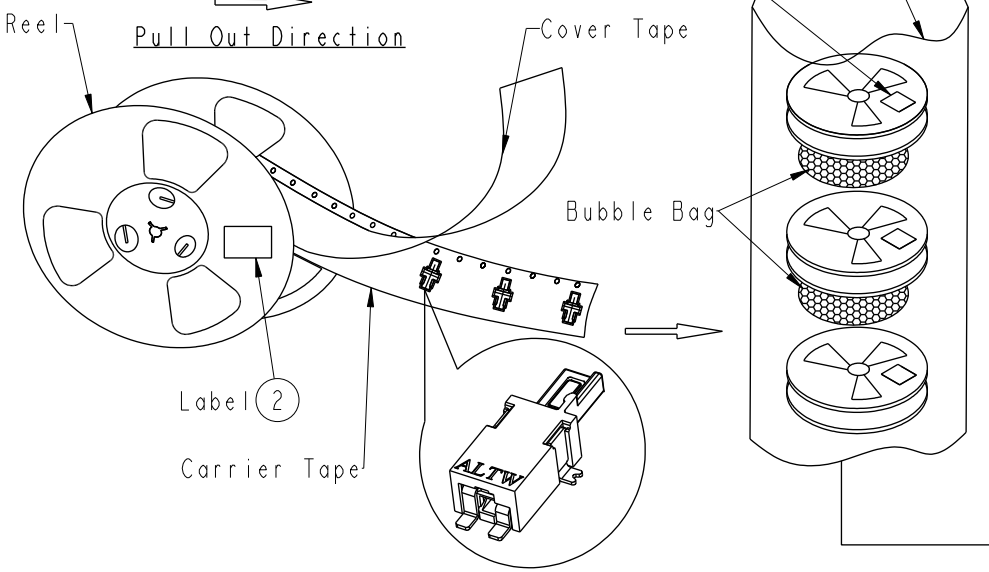
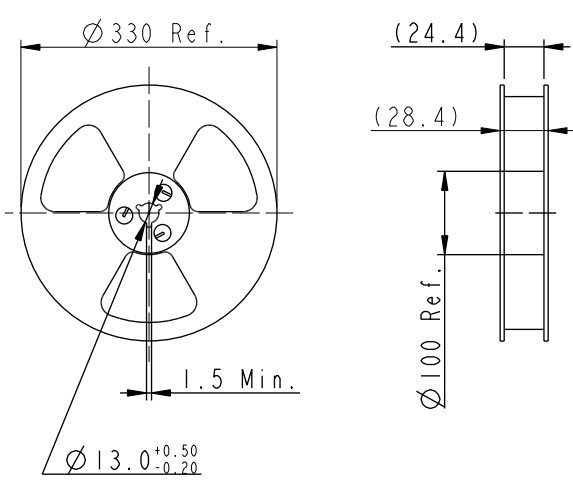
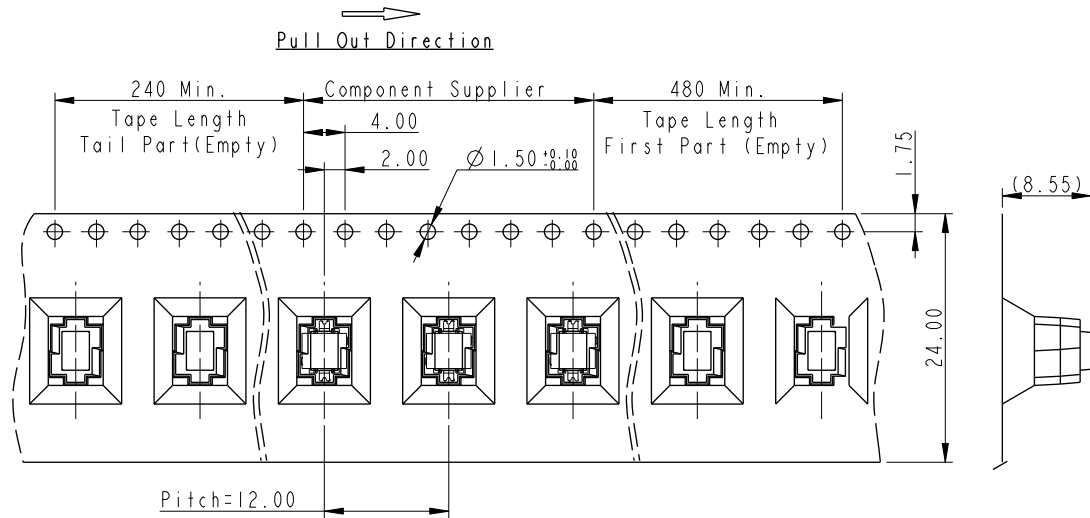
UNIT: mm			TITLE SSL, 1.1 NON WP, M, 2P SMT R/A W/POST, NONE △F
TOLERANCE	.X ±0.25	.XX ±0.1	.XXX ±0.05
ANGLES	±1°		
SCALE	5:1	SIZE A4	SHEET 1 OF 2
REV.	F	WC-REV. C.9	⊕: Inspection item

Amphenol LTW
安費諾亮泰企業股份有限公司

ITEM NO	SSL11-P2C00-000001	DRAWN BY	NianPing Yu	DATE	2019-08-30
DWG NO	SSL11-P2C00-000001	CHECKED BY	Fisher Wang	DATE	2019-08-30
CUSTOMER	ALTW	APPROVED BY	Max Yang	DATE	2019-08-30

THIS DOCUMENT IS SUBJECT TO CHANGE WITHOUT NOTICE. IT IS CONFIDENTIAL AND A PROPERTY OF Amphenol LTW. DISCLOSURE TO THIRD PARTY HAS TO BE AUTHORIZED BY Amphenol LTW.

- MATERIALS**
- Carrier Tape: Polystyren (PS)
 - Cover Tape: Polystyren (PS)
 - Reel: Polystyren (PS)
- QUANTITY**
- 1200Pcs Per Reel
 - 8 Reel Per Carton (9600Pcs/Carton)
 - Reference Standard: EIA-481-D
 - Net Weight: 1.7Kg/Carton.
 - Gross Weight: 6.9Kg/Carton.



UNIT:mm TOLERANCE .X ±0.25 .XX ±0.1 .XXX ±0.05 ANGLES ±1°	TITLE SSL, 1.1 NON WP, M, 2P SMT R/A W/POST, NONE	
	SCALE 5:1	SIZE A4
	REV. F	SHEET 2 OF 2

Amphenol LTW
 安費諾亮泰企業股份有限公司

ITEM NO SSL11-P2C00-000001	DRAWN BY NianPing Yu	DATE 2019-08-30
DWG NO SSL11-P2C00-000001	CHECKED BY Fisher Wang	DATE 2019-08-30
CUSTOMER ALTW	APPROVED BY Max Yang	DATE 2019-08-30