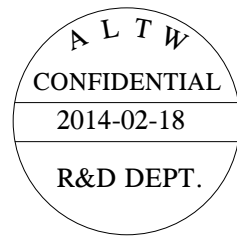
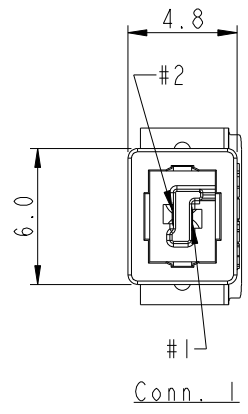
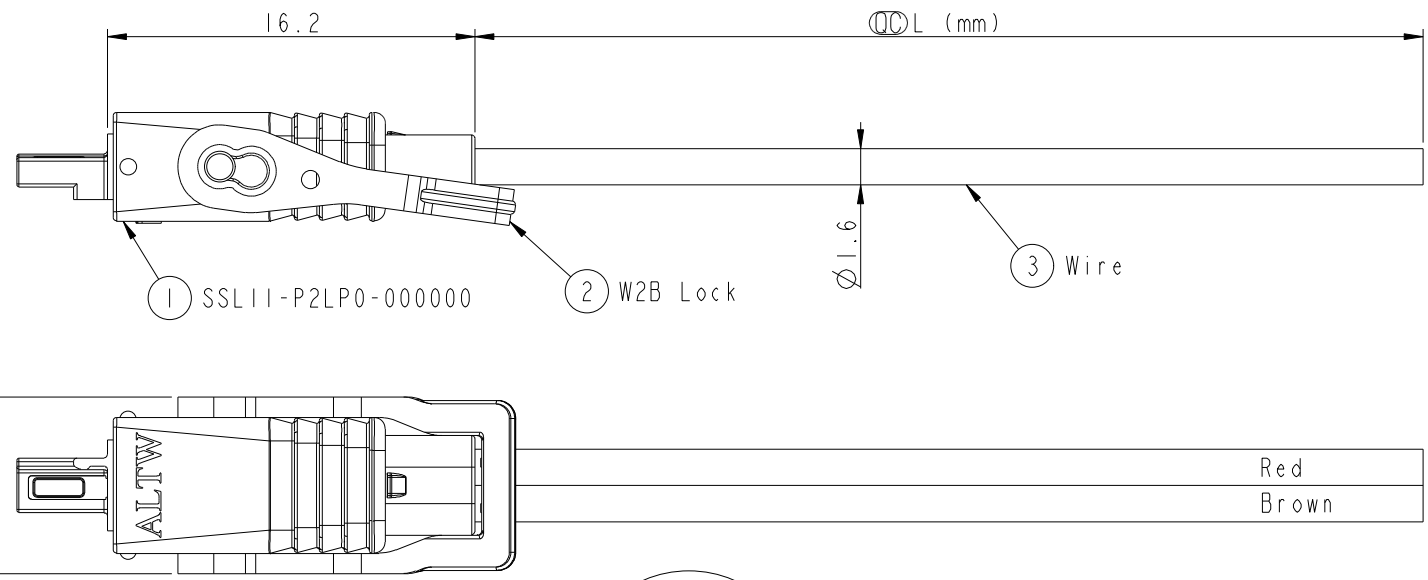


REV.	ECN NO.	DATE	SIGN	DESCRIPTION
A	Initial Release	2014-02-18	Fisher	Initial Release



SSLII-P2LP0-B22AXX

- 01: L=100±20 mm.
- 02: L=200±20 mm.
- 04: L=400±25 mm.
- Standard Length is 400mm
- Wire Length Range(L): 100~9900mm
- 22: 22AWG
- LOCK&LATCH OPTION
- B: WITH W2B LOCK

- Notes:
- * ⌀ Important Dimensions To Check.
 - * Housing: Thermoplastic, UL94V-0, Natural White.
 - * Terminal: Copper Alloy, Gold Plated.
 - * Hood: Thermoplastic, UL94V-0, Natural White.
 - * SR Mold: PP, UL94V-0, Natural White.
 - * W2B Lock: Thermoplastic, UL94V-0, Natural White.
 - * Wire: UL1430 22AWG, Brown/Red.
 - * Wire Length Tolerance: ±5%mm.

2	Red	紅
1	Brown	棕
Conn. 1	Wire Color	
Pin Out		

UNIT:mm			TITLE SSLII.1 WIRE ASS'Y, WITH W2B LOCK 2-POS, PLUG TO OPEN		
TOLERANCE	.X ±0.25	.XX ±0.1	SCALE 3:1	SIZE A4	SHEET 1 OF 1
ANGLES	.XXX ±0.05	±1°	REV. A	WC-REV. A.2	⌀: Inspection item

Amphenol LTW
安費諾亮泰企業股份有限公司

ITEM NO	DRAWN BY Fisher_Wang	DATE 2014-02-18
DWG NO SSLII-P2LP0-B22AXX	CHECKED BY Ivan_Lin	DATE 2014-02-18
CUSTOMER ALTW	APPROVED BY Kevin_Hu	DATE 2014-02-18

THIS DOCUMENT IS SUBJECT TO CHANGE WITHOUT NOTICE. IT IS CONFIDENTIAL AND A PROPERTY OF AMPHENOL LTW. DISCLOSURE TO THIRD PARTY HAS TO BE AUTHORIZED BY AMPHENOL LTW.