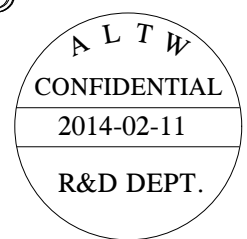
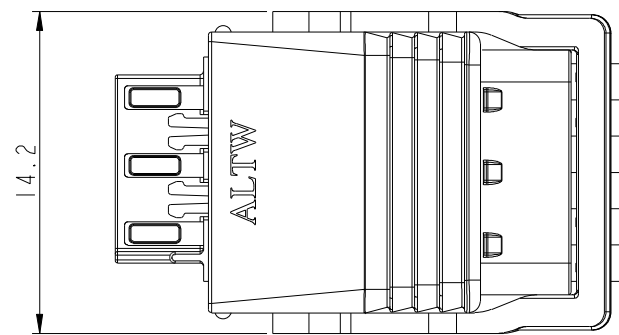
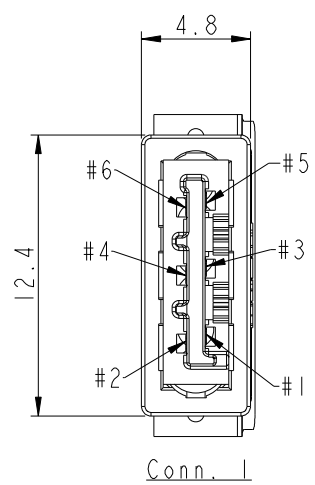
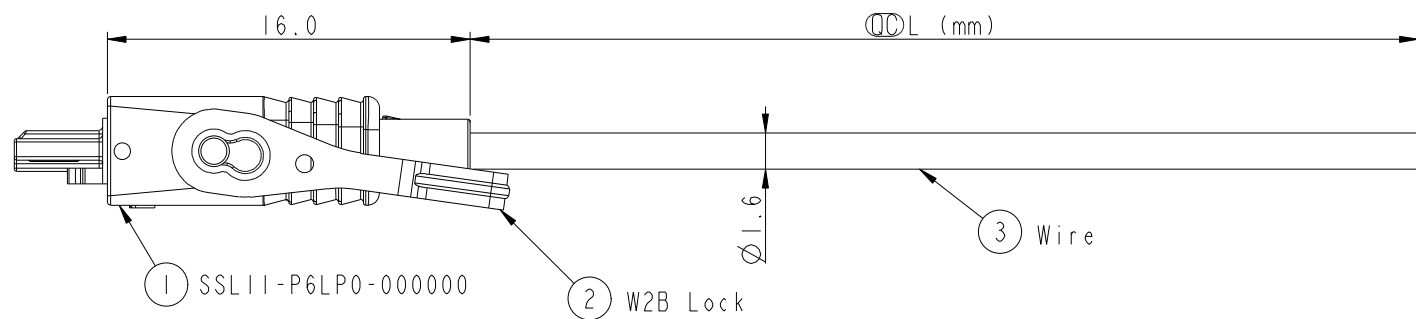


THIS DOCUMENT IS SUBJECT TO CHANGE WITHOUT NOTICE. IT IS CONFIDENTIAL AND A PROPERTY OF Amphenol LTW. DISCLOSURE TO THIRD PARTY HAS TO BE AUTHORIZED BY Amphenol LTW.

REV.	ECN NO.	DATE	SIGN	DESCRIPTION
A	Initial Release	2014-02-11	Fisher	Initial Release



Blue
Green
Yellow
Orange
Red
Brown

6	Blue	藍
5	Green	綠
4	Yellow	黃
3	Orange	橙
2	Red	紅
1	Brown	棕
Conn. 1	Wire Color	
Pin Out		

SSLII-P6LP0-B22AXX

01: L=100±20 mm.
 02: L=200±20 mm.
 04: L=400±25 mm.
 Standard Length is 400mm
 Wire Length Range(L): 100~9900mm

22: 22AWG

LOCK&LATCH OPTION
 B: WITH W2B LOCK

Notes:

- * (C) Important Dimensions To Check.
- * Housing: Thermoplastic, UL94V-0, Natural White.
- * Terminal: Copper Alloy, Gold Plated.
- * Hood: Thermoplastic, UL94V-0, Natural White.
- * SR Mold: PP, UL94V-0, Natural White.
- * W2B Lock: Thermoplastic, UL94V-0, Natural White.
- * Wire: UL1430 22AWG, Brown/Red/Orange/Yellow/Green/Blue.
- * Wire Length Tolerance: ±5%mm.

UNIT:mm		TITLE SSLII.1 WIRE ASS'Y, WITH W2B LOCK 6-POS, PLUG TO OPEN		<h1>Amphenol LTW</h1> <p>安費諾亮泰企業股份有限公司</p>	ITEM NO	DRAWN BY Fisher_Wang	DATE 2014-02-11
		SCALE 3:1	SIZE A4		SHEET 1 OF 1	DWG NO SSLII-P6LP0-B22AXX	CHECKED BY Ivan_Lin
TOLERANCE .X ±0.25 .XX ±0.1 .XXX ±0.05 ANGLES ±1°		REV. A	WC-REV. A.9	(C): Inspection item	CUSTOMER ALTW	APPROVED BY Kevin_Hu	DATE 2014-02-11