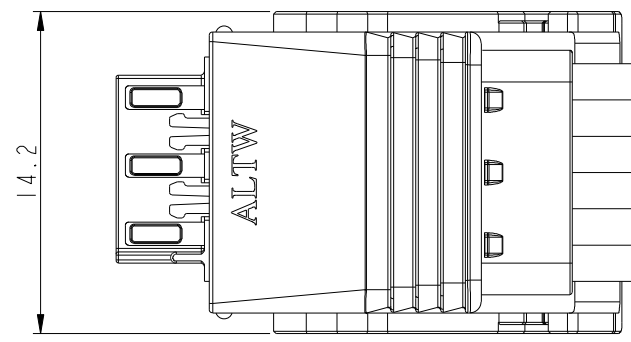
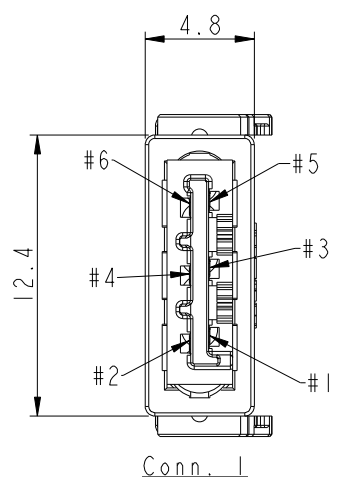
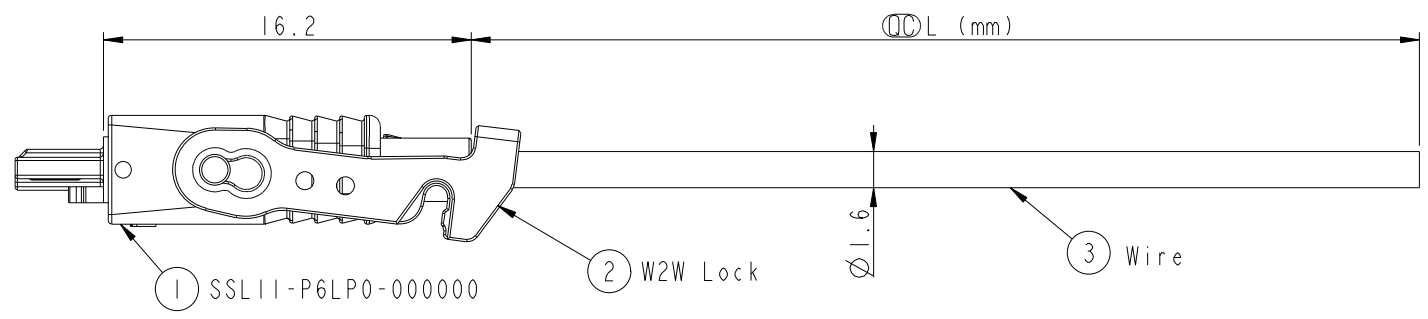


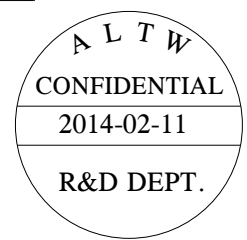
THIS DOCUMENT IS SUBJECT TO CHANGE WITHOUT NOTICE. IT IS CONFIDENTIAL AND A PROPERTY OF Amphenol LTW. DISCLOSURE TO THIRD PARTY HAS TO BE AUTHORIZED BY Amphenol LTW.

REV.	ECN NO.	DATE	SIGN	DESCRIPTION
A	Initial Release	2014-02-11	Fisher	Initial Release



SSLII-P6LP0-W22AXX

- 01: L=100±20 mm.
- 02: L=200±20 mm.
- 04: L=400±25 mm.
- Standard Length is 400mm
- Wire Length Range(L): 100~9900mm
- 22: 22AWG
- LOCK&LATCH OPTION
- W: WITH W2W LOCK



- Notes:
- \* (CC) Important Dimensions To Check.
  - \* Housing: Thermoplastic, UL94V-0, Natural White.
  - \* Terminal: Copper Alloy, Gold Plated.
  - \* Hood: Thermoplastic, UL94V-0, Natural White.
  - \* SR Mold: PP, UL94V-0, Natural White.
  - \* W2W Lock: Thermoplastic, UL94V-0, Natural White.
  - \* Wire: UL1430 22AWG, Brown/Red/Orange/Yellow/Green/Blue.
  - \* Wire Length Tolerance: ±5%mm.

Blue
Green
Yellow
Orange
Red
Brown

6	Blue	藍
5	Green	綠
4	Yellow	黃
3	Orange	橙
2	Red	紅
1	Brown	棕
Conn. 1	Wire Color	
Pin Out		

UNIT:mm		TITLE
TOLERANCE		SSLII WIRE ASS'Y, WITH W2W LOCK
.X	±0.25	6-POS, PLUG TO OPEN
.XX	±0.1	SCALE 3:1
.XXX	±0.05	SIZE A4
ANGLES	±1°	SHEET 1 OF 1
REV. A	WC-REV. A.5	CC: Inspection item

**Amphenol LTW**  
安費諾亮泰企業股份有限公司

ITEM NO	DRAWN BY	DATE
DWG NO	CHECKED BY	DATE
CUSTOMER	APPROVED BY	DATE
ALTW	Fisher_Wang	2014-02-11
	Ivan_Lin	2014-02-11
	Kevin_Hu	2014-02-11