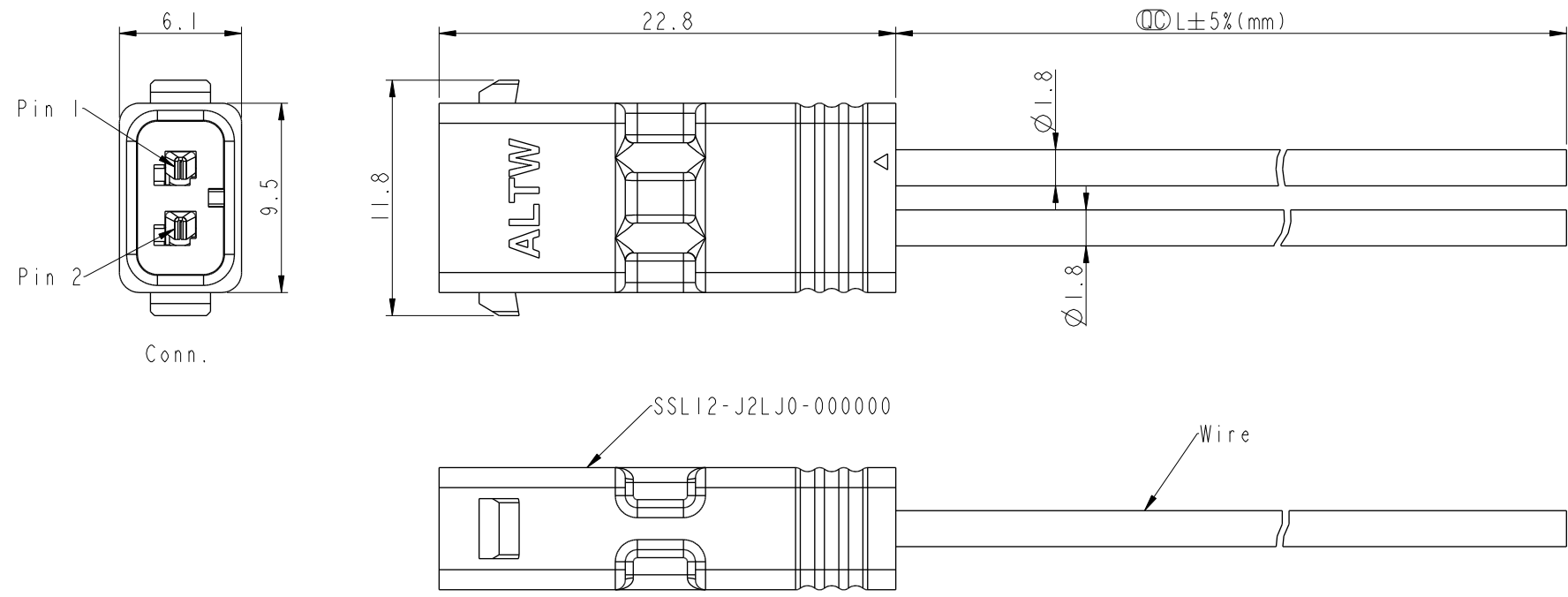


THIS DOCUMENT IS SUBJECT TO CHANGE WITHOUT NOTICE. IT IS CONFIDENTIAL AND A PROPERTY OF Amphenol LTW. DISCLOSURE TO THIRD PARTY HAS TO BE AUTHORIZED BY Amphenol LTW.

REV.	ECN NO.	DATE	SIGN	DESCRIPTION
F	C192063	2019/12/03	NianPing Yu	$\triangle F$ x1
G	C200559	2020/05/05	NianPing Yu	$\triangle G$ X1
H	C220940	2022/06/23	Ruru	$\triangle H$ X3



SSL12-J2LJ0-020AXX

- 01: L=100±20mm
- 02: L=200±20mm
- 04: L=400±25mm
- Standard Length is 400mm.
- Wire Length Range(L): 100~9900mm
- 20: 20AWG

- Notes:
- \*  $\varnothing$  Important Dimension To Check.
  - \* Waterproof Rate: IP68(mating)  
1M Depth Of Water In 24 Hours.
  - \* Housing: Thermoplastic, UL94V-0, Natural White.
  - \* Terminal: Copper Alloy, Gold Plated on contact area.
  - \* Seals: Silicone, Gray.
  - \* Wire: UL1430 20AWG.
  - \* Current Rating : 5A maximum.
  - \* Voltage Rating: 250V DC/AC maximum.
  - \* Operating Temperature: -40~+105°C.

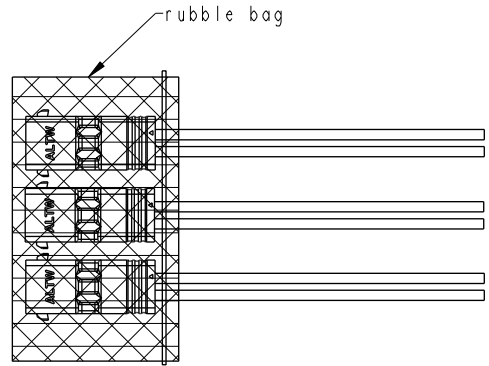
2	Red	紅
1	Brown	棕
Conn.	Wire	
Pin-out		

UNIT:mm		TITLE		ITEM NO		DRAWN BY		DATE	
TOLERANCE		SSL, 1.2 WP, F, 2P		DWG NO		NianPing Yu		2019-09-07	
.X	±0.25	CABLE S W/SR, NONE		SSL12-J2LJ0-020AXX		Fisher Wang		2019-09-07	
.XX	±0.1	SCALE	3:1	SIZE	A4	APPROVED BY		DATE	
.XXX	±0.05	REV.	H	WC-REV.	A.8	Max Yang		2019-09-07	
ANGLES	±1°	SHEET 1 OF 2		CUSTOMER		ALTW		DATE	
		$\varnothing$ : Inspection item		Amphenol LTW					
		安費諾亮泰企業股份有限公司							

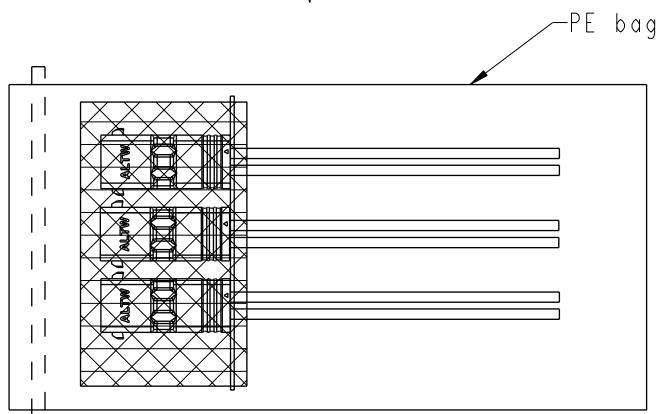
THIS DOCUMENT IS SUBJECT TO CHANGE WITHOUT NOTICE. IT IS CONFIDENTIAL AND A PROPERTY OF Amphenol LTW. DISCLOSURE TO THIRD PARTY HAS TO BE AUTHORIZED BY Amphenol LTW.

**B** PACKAGE

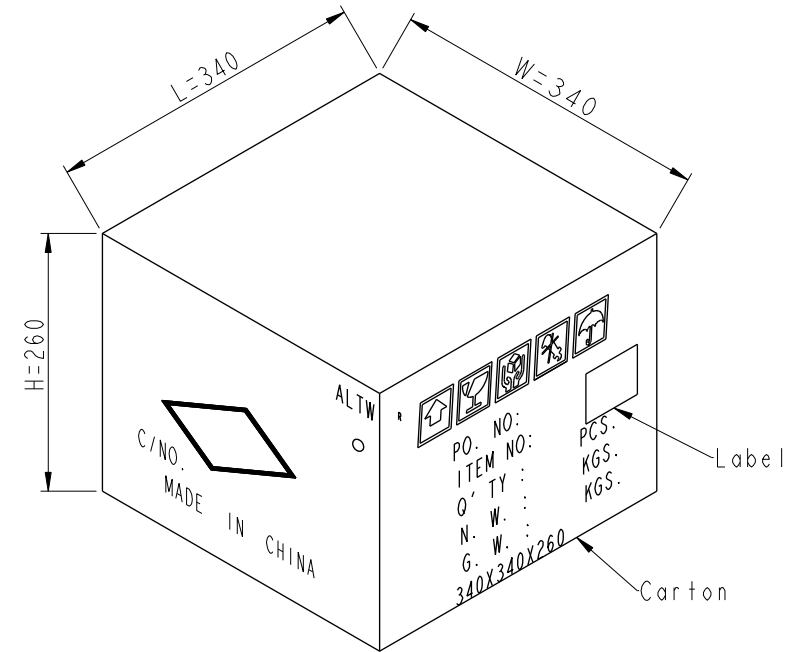
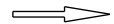
**G F H**



10pcs connector put on rubble bag, and with a cable ties.



100 Pcs Cable into a PE Bag



600pcs per Carton

**E**

**E**

UNIT:mm		
TOLERANCE ±0.5mm		

TITLE SSL, 1.2 WP, F, 2P CABLE S W/SR, NONE			
SCALE 1:1	SIZE A4	SHEET 2 OF 2	
REV. H	WC-REV. A.5	QC: Inspection item	

**Amphenol LTW**  
安費諾亮泰企業股份有限公司

ITEM NO	DRWN BY NianPing Yu	DATE 2019-09-07
DWG NO SSL12-J2LJ0-020AXX	CHECKED BY Fisher Wang	DATE 2019-09-07
CUSTOMER ALTW	APPROVED BY Max Yang	DATE 2019-09-07

PCS. KGS.	DATE 2019-09-07
KGS.	DATE 2019-09-07
DATE 2019-09-07	