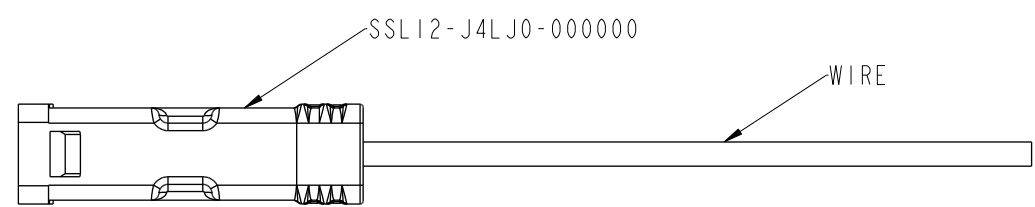
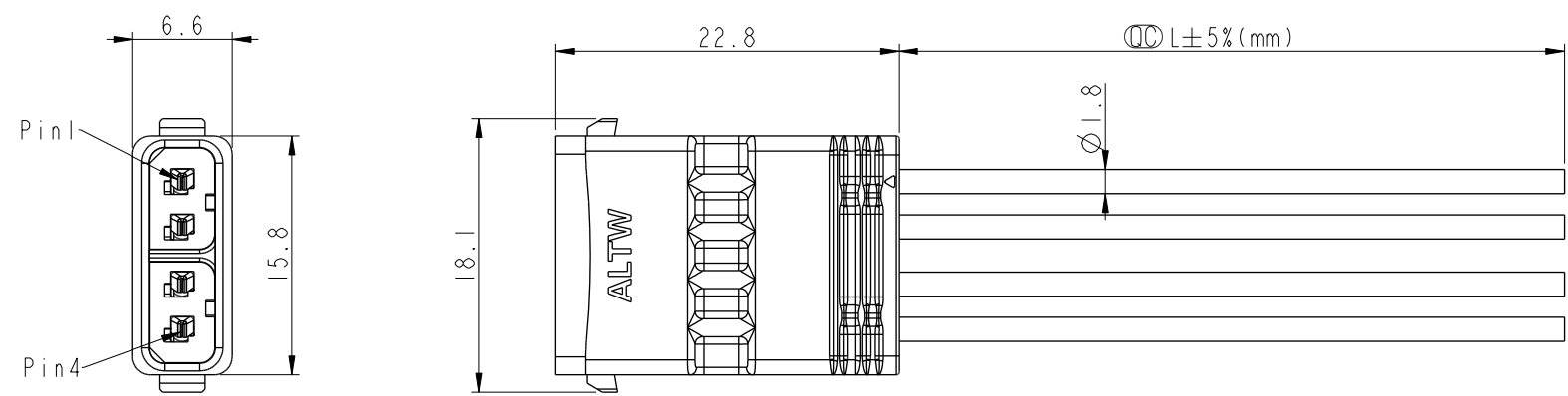


THIS DOCUMENT IS SUBJECT TO CHANGE WITHOUT NOTICE. IT IS CONFIDENTIAL AND A PROPERTY OF Amphenol LTW. DISCLOSURE TO THIRD PARTY HAS TO BE AUTHORIZED BY Amphenol LTW.


REV.	ECN NO.	DATE	SIGN	DESCRIPTION
C	LEN1790240~41	2017-09-14	Ruru	RoHS Label and blue and white label merger
D	C200559	2020-05-05	NianPing Yu	 X1
E	C220940	2022-06-23	Ruru	 X3



SSL12-J4LJ0-020AXX

01: L=100±20mm
 02: L=200±20mm
 04: L=400±25mm
 Wire Length Range(L): 100~9900mm

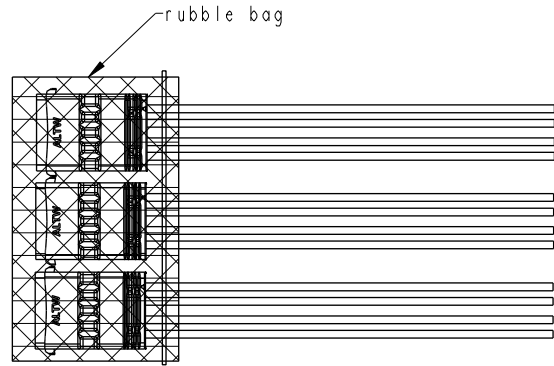
20: 20AWG

- Notes:
- *  Important Dimension To Check.
 - * Waterproof Rate: IP68(mating)
 1M Depth Of Water In 24 Hours.
 - * Housing: Thermoplastic, UL94V-0, Natural White.
 - * Terminal: Copper Alloy, Gold Plated on contact area.
 - * Seals: Silicone, Gray.
 - * Wire: UL1430 20AWG.
 - * Current Rating : 5A maximum.
 - * Voltage Rating: 250V DC/AC maximum.
 - * Operating Temperature: -40~+105°C.

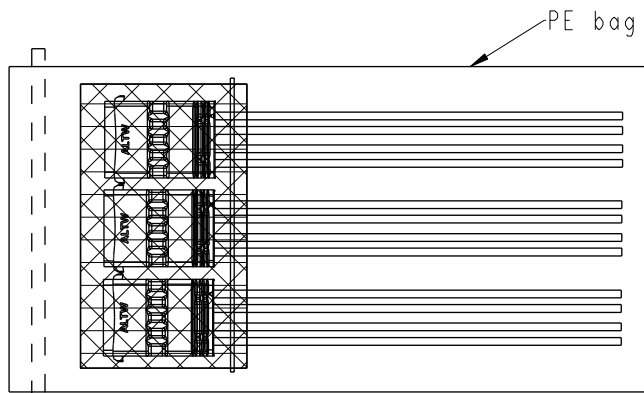
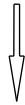
4	Yellow	黃
3	Orange	橙
2	Red	紅
1	Brown	棕
Conn.	Wire	
Pin-out		

UNIT:mm		TITLE		ITEM NO		DRAWN BY		DATE	
TOLERANCE ±0.5mm		SSL, 1.2 WP, F, 4P CABLE S W/SR, NONE		DWG NO SSL12-J4LJ0-020AXX		Ruru		2017-09-14	
SCALE 1:1		SIZE A4		CUSTOMER ALTW		CHECKED BY Rita		DATE 2017-09-14	
REV. E		WC-REV. A.6		APPROVED BY Max		DATE 2017-09-14		8	
		SHEET 1 OF 2		ALTW				W10814-03-0001A2	
		①: Inspection item		Amphenol LTW					
				安費諾亮泰企業股份有限公司					

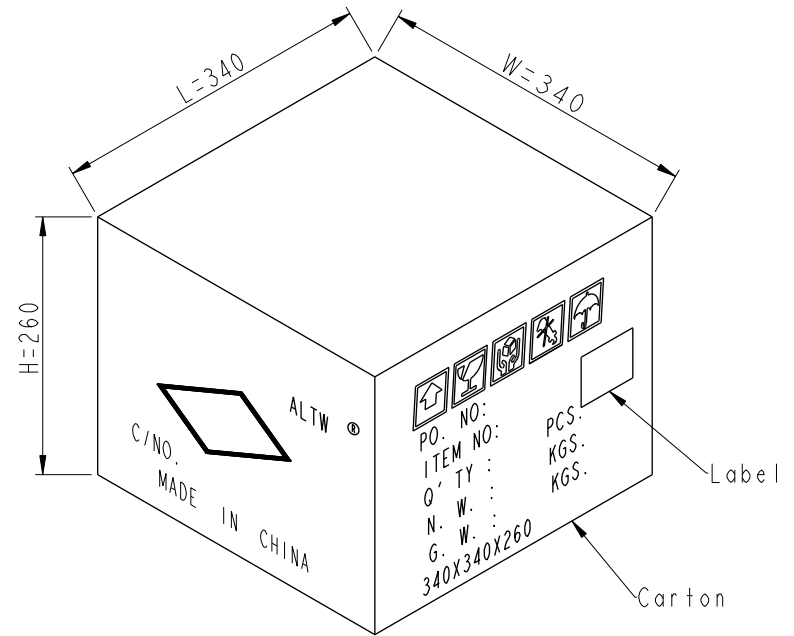
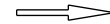
PACKAGE



10pcs connector put on rubble bag, and with a cable ties.



100 Pcs Cable into a PE Bag



500pcs per Carton

UNIT: mm	
TOLERANCE	±0.5mm

TITLE SSL, 1.2 WP, F, 4P CABLE S W/SR, NONE			
SCALE 1:1	SIZE A4	SHEET 2 OF 2	
REV. E	WC-REV. A.5	QC: Inspection item	

Amphenol LTW
安費諾亮泰企業股份有限公司

ITEM NO.	DRAWN BY Ruru	DATE 2017-09-14
DWG NO. SSL12-J4LJ0-020AXX	CHECKED BY Rita	DATE 2017-09-14
CUSTOMER ALTW	APPROVED BY Max	DATE 2017-09-14

THIS DOCUMENT IS SUBJECT TO CHANGE WITHOUT NOTICE. IT IS CONFIDENTIAL AND A PROPERTY OF Amphenol LTW. DISCLOSURE TO THIRD PARTY HAS TO BE AUTHORIZED BY Amphenol LTW.