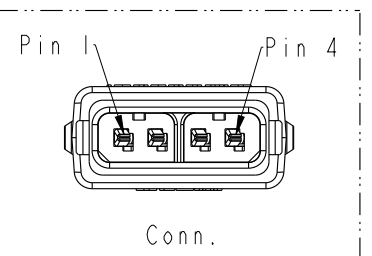
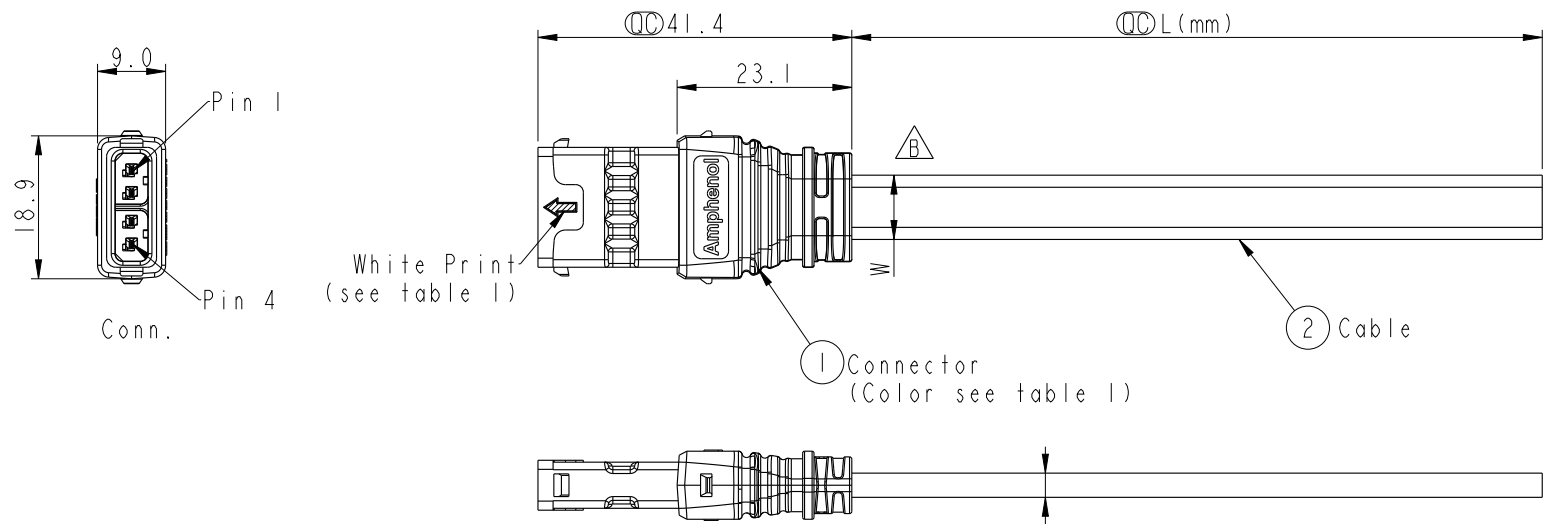


THIS DOCUMENT IS SUBJECT TO CHANGE WITHOUT NOTICE. IT IS CONFIDENTIAL AND A PROPERTY OF Amphenol LTW. DISCLOSURE TO THIRD PARTY HAS TO BE AUTHORIZED BY Amphenol LTW.

REV.	ECN NO.	DATE	SIGN	DESCRIPTION
A	Initial Release	2017-05-17	Fisher Wang	Rev. 01 to A
B	C210960	2021-06-25	Carl Dong	△Bx1

Table 1:

P/N.	connector	Cable	White Print
SSL12-J4LJ0-0XXFXX	White	White	Without
SSL12-J4LJ0-0XXHXX	Black	Black	With



SSL12-J4LJ0-0XX X XX

- XX: 1M~99M
- 01: 1M
- 02: 2M
- :
- 99: 99M
- F: White
- H: Black

Cable Length Tolerance:

- 01M: ±40mm
- 02M~06M: ±60mm
- 06M~10M: ±100mm
- 11M~30M: ±200mm
- 31M~99M: ±500mm

Notes:

- \* Ⓞ Important Dimension To Check.
- \* Current Rating: 5A
- \* Voltage Rating: 300V DC/AC
- \* Waterproof Rate: IP68(mating)  
1M Depth Of Water In 24 Hours.
- \* Housing: Thermoplastic, UL94V-0,  
color see table 1.
- \* Terminal: Copper Alloy, Gold Plated.
- \* Seals: Silicone, Gray.
- \* Cable: UL21996, Flat Cable, UV Resistance,  
color see table 1.
- \* Temperature Range: -40~+105℃

4	Yellow 黃
3	Orange 橘
2	Red 紅
1	Brown 棕
Conn	Wire Color
Pin out	

UNIT:mm	
±0.5	

TITLE SSL1.2 4P, JACK CONN+FLAT CABLE			
SCALE Free	SIZE A4	SHEET 1 OF 1	
REV. B	WC-REV. A.4	Ⓞ: Inspection item	

**Amphenol LTW**  
安費諾亮泰企業股份有限公司

ITEM NO.	DRAWN BY Fisher Wang	DATE 2017-05-17
DWG NO. SSL12-J4LJ0-0XXXXX	CHECKED BY Victor Hung	DATE 2017-05-17
CUSTOMER ALTW	APPROVED BY Kevin Hu	DATE 2017-05-17