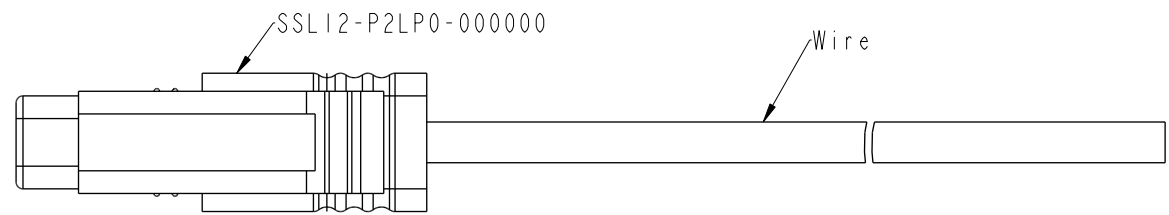
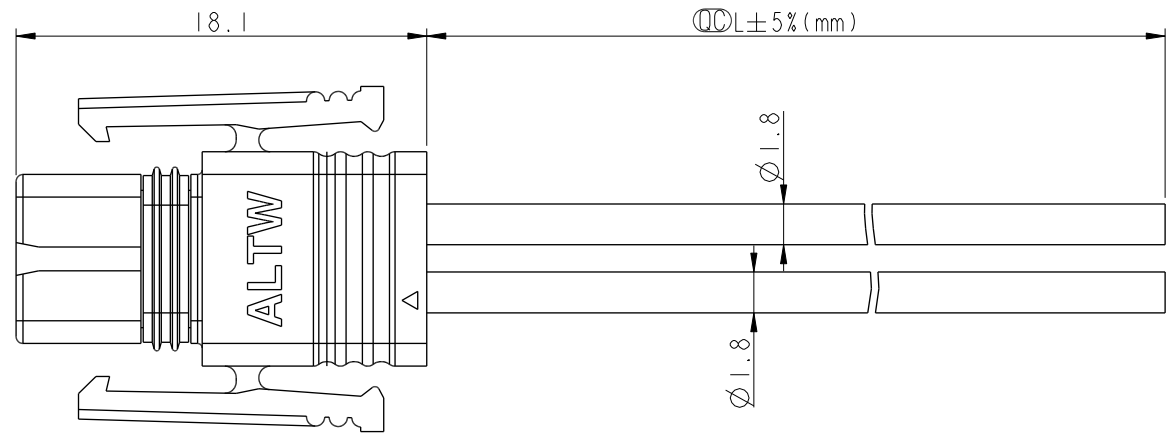
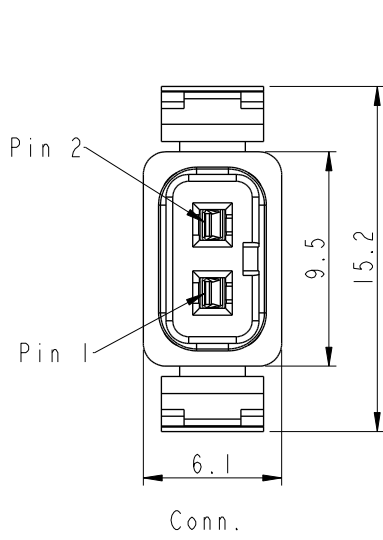


THIS DOCUMENT IS SUBJECT TO CHANGE WITHOUT NOTICE. IT IS CONFIDENTIAL AND A PROPERTY OF AMPHENOL LTW. DISCLOSURE TO THIRD PARTY HAS TO BE AUTHORIZED BY AMPHENOL LTW.

REV.	ECN NO.	DATE	SIGN	DESCRIPTION
F	C192063	2019-12-03	NianPing Yu	$\triangle F$ XI
G	C200559	2020-05-05	NianPing Yu	$\triangle G$ XI
H	C220940	2022-06-23	Ruru	$\triangle H$ X3



SSL12-P2LP0-M20AXX

- 01: L=100±20mm
- 02: L=200±20mm
- 04: L=400±25mm
- Standard Length is 400mm.
- Wire Length Range(L): 100~9900mm
- 20: 20AWG

- Notes:
- \*  $\textcircled{L}$  Important Dimension To Check.
  - \* Waterproof Rate: IP68(mating).  
1M Depth Of Water In 24 Hours.
  - \* Housing: Thermoplastic, UL94V-0, Natural White.
  - \* Terminal: Copper Alloy, Gold Plated on contact area.
  - \* Gasket: Silicone, Gray.
  - \* Seals: Silicone, Gray.
  - \* Wire: UL1430 20AWG.
  - \* Current Rating : 5A maximum.
  - \* Voltage Rating: 250V DC/AC maximum.
  - \* Operating Temperature: -40~+105°C.

2	Red	紅
1	Brown	棕
Conn.	Wire	
Pin-out		

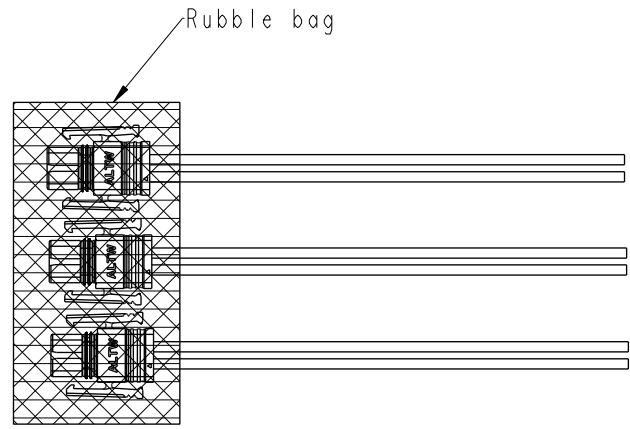
UNIT:mm			TITLE SSL, 1.2 WP, M, 2P CABLE S W/SR, W/2 LATCH(1.2) $\triangle H$		
TOLERANCE ±0.50mm		SCALE 3:1	SIZE A4	SHEET 1	OF 2
REV. H	WC-REV. A.6	$\textcircled{C}$ : Inspection item			

**Amphenol LTW**  
安費諾亮泰企業股份有限公司

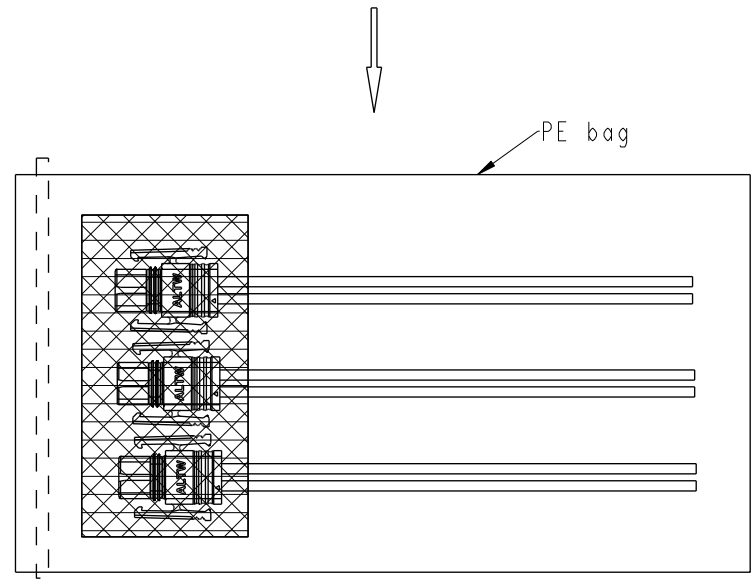
ITEM NO	DRAWN BY NianPing Yu	DATE 2019-09-17
DWG NO SSL12-P2LP0-M20AXX	CHECKED BY Fisher Wang	DATE 2019-09-17
CUSTOMER ALTW	APPROVED BY Max Yang	DATE 2019-09-17

THIS DOCUMENT IS SUBJECT TO CHANGE WITHOUT NOTICE. IT IS CONFIDENTIAL AND A PROPERTY OF Amphenol LTW. DISCLOSURE TO THIRD PARTY HAS TO BE AUTHORIZED BY Amphenol LTW.

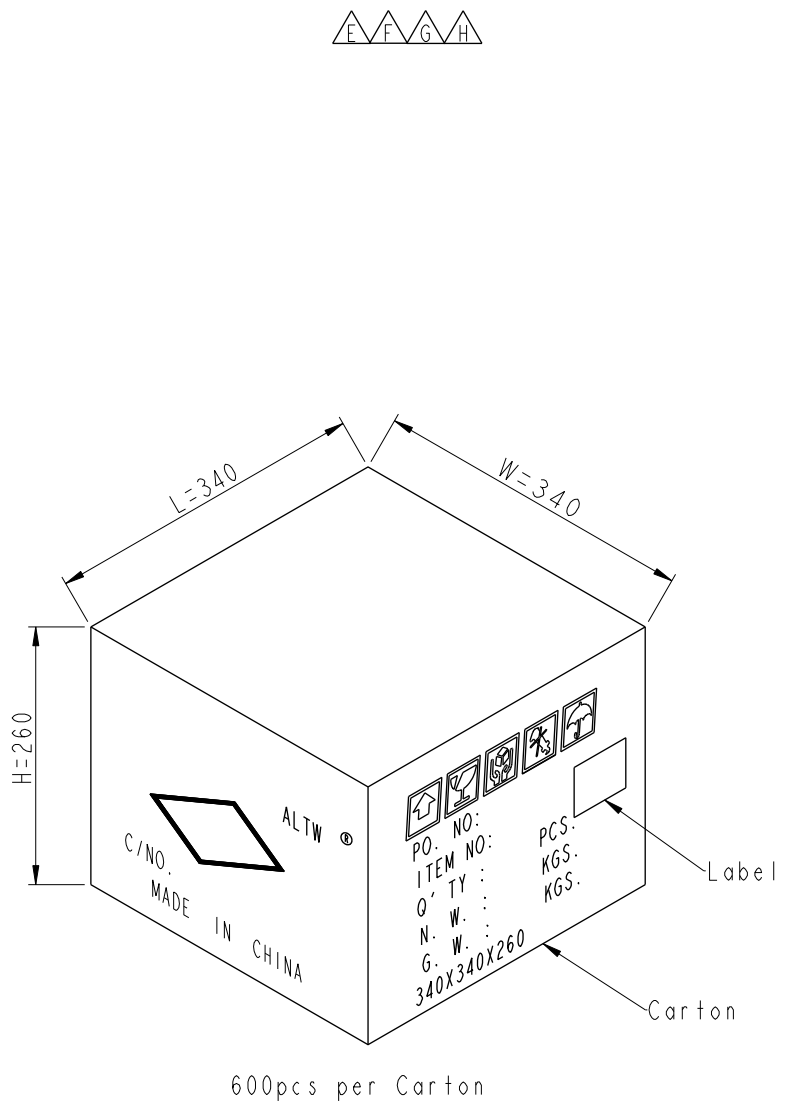
**PACKAGE**



10pcs connector put on rubble bag, and with a cable ties.



100 Pcs Cable into a PE Bag



UNIT:mm		TITLE SSL, 1.2 WP, M, 2P CABLE S W/SR, W/2 LATCH(1.2)	
TOLERANCE ±0.5mm	SCALE 1:1	SIZE A4	SHEET 2 OF 2
	REV. H	WC-REV. .0	QC: Inspection item

**Amphenol LTW**  
安費諾亮泰企業股份有限公司

ITEM NO	DRAWN BY NianPing Yu	DATE 2019-09-17
DWG NO SSL12-P2LP0-M20AXX	CHECKED BY Fisher Wang	DATE 2019-09-17
CUSTOMER ALTW	APPROVED BY Max Yang	DATE 2019-09-17