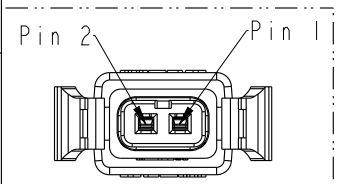
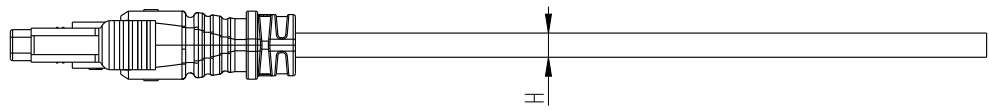
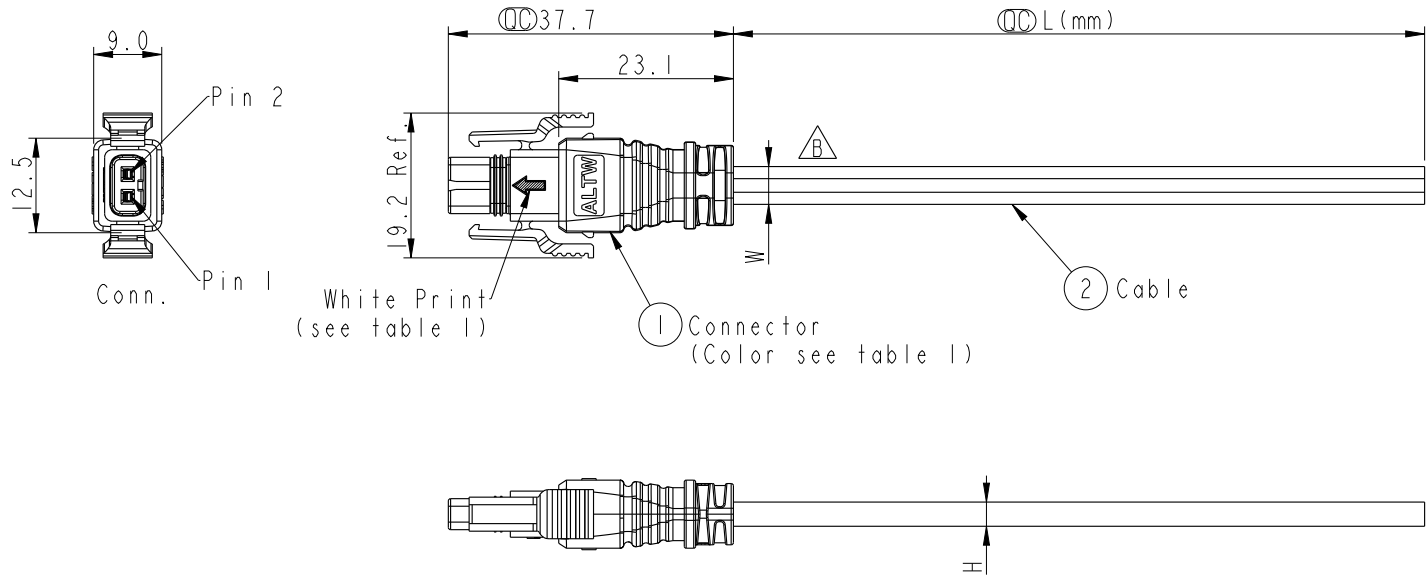


THIS DOCUMENT IS SUBJECT TO CHANGE WITHOUT NOTICE. IT IS CONFIDENTIAL AND A PROPERTY OF Amphenol LTW. DISCLOSURE TO THIRD PARTY HAS TO BE AUTHORIZED BY Amphenol LTW.

Table 1:

P/N.	connector	Cable	White Print
SSL12-P2LP0-MXXFXX	White	White	Without
SSL12-P2LP0-MXXHXX	Black	Black	With

REV.	ECN NO.	DATE	SIGN	DESCRIPTION
A	Initial Release	2017-05-16	Fisher Wang	Rev. 01 to A
B	C210960	2021-06-25	Carl Dong	$\triangle B \times 1$



2	Red	紅
1	Brown	棕
Conn	Wire Color	
Pin Out		

SSL12-P2LP0-MXX X XX

- XX: 1M~99M
- 01: 1M
- 02: 2M
- ...
- 99: 99M
- F: White
- H: Black

- Cable Length Tolerance:
- 01M: ±40mm
  - 02M~06M: ±60mm
  - 06M~10M: ±100mm
  - 11M~30M: ±200mm
  - 31M~99M: ±500mm

- 18: 18AWG(W=5.3,H=3.4)
- 20: 20AWG(W=5.0,H=3.2)

- Notes:
- \*  $\textcircled{C}$  Important Dimension To Check.
  - \* Current Rating: 5A
  - \* Voltage Rating: 300V DC/AC
  - \* Waterproof Rate: IP68(mating)  
1M Depth Of Water In 24 Hours.
  - \* Housing: Thermoplastic, UL94V-0,  
color see table 1.
  - \* Terminal: Copper Alloy, Gold Plated.
  - \* Gasket: Silicone, Gray.
  - \* Seals: Silicone, Gray.
  - \* Cable: UL21996, Flat Cable, UV Resistance,  
color see table 1.
  - \* Temperature Range: -40~+105°C

UNIT: mm	TITLE SSL1.2 2P, PLUG CONN+FLAT CABLE		<b>Amphenol LTW</b> 安費諾亮泰企業股份有限公司		ITEM NO	DRAWN BY Fisher Wang	DATE 2017-05-16
	SCALE Free	SIZE A4			SHEET 1	OF 1	DWG NO SSL12-P2LP0-MXXXXX
	±0.5	REV. B	WC-REV. A.7	$\textcircled{C}$ : Inspection item	CUSTOMER ALTW	APPROVED BY Kevin Hu	DATE 2017-05-16