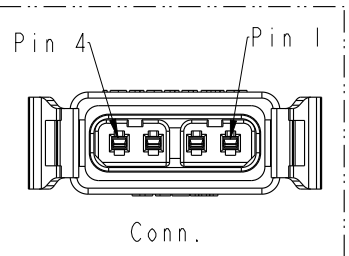
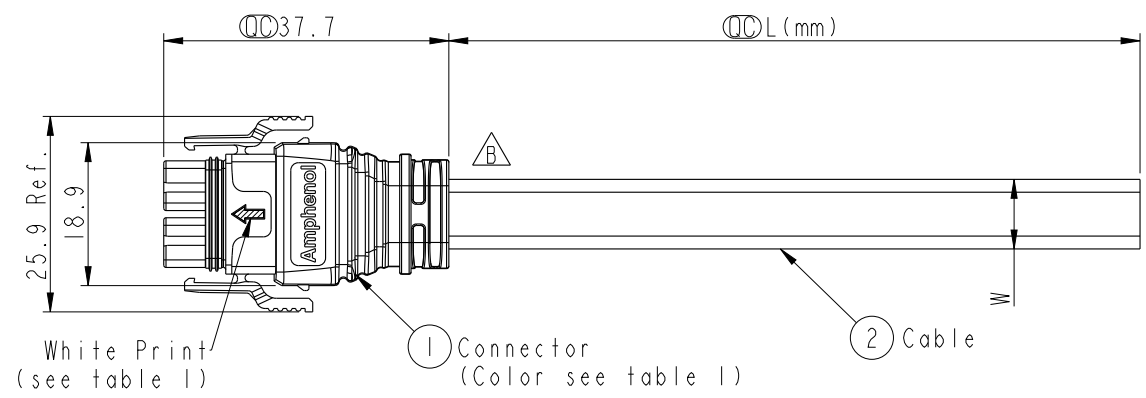
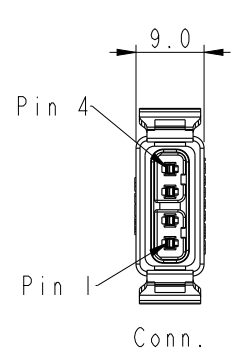


THIS DOCUMENT IS SUBJECT TO CHANGE WITHOUT NOTICE. IT IS CONFIDENTIAL AND A PROPERTY OF Amphenol LTW. DISCLOSURE TO THIRD PARTY HAS TO BE AUTHORIZED BY Amphenol LTW.

REV.	ECN NO.	DATE	SIGN	DESCRIPTION
A	Initial Release	2017-05-17	Fisher Wang	Rev. 01 to A
B	C210960	2021-06-25	Carl Dong	$\triangle B$ x1

Table 1:

P/N.	connector	Cable	White Print
SSL12-P4LP0-MXXFFX	White	White	Without
SSL12-P4LP0-MXXHXX	Black	Black	With



SSL12-P4LP0-MXX X XX

- XX: 1M~99M
- 01: 1M
- 02: 2M
- ...
- 99: 99M
- F: White
- H: Black
- 18: 18AWG (W=9.2, H=3.4)
- 20: 20AWG (W=8.5, H=3.2)

- Cable Length Tolerance:
- 01M: ± 40 mm
 - 02M~06M: ± 60 mm
 - 06M~10M: ± 100 mm
 - 11M~30M: ± 200 mm
 - 31M~99M: ± 500 mm

- Notes:
- * $\text{\textcircled{L}}$ Important Dimension To Check.
 - * Current Rating: 5A
 - * Voltage Rating: 300V DC/AC
 - * Waterproof Rate: IP68 (mating)
1M Depth Of Water In 24 Hours.
 - * Housing: Thermoplastic, UL94V-0,
color see table 1.
 - * Terminal: Copper Alloy, Gold Plated.
 - * Gasket: Silicone, Gray.
 - * Seals: Silicone, Gray.
 - * Cable: UL21996, Flat Cable, UV Resistance,
color see table 1.
 - * Temperature Range: -40~+105 $^{\circ}$ c

4	Yellow	黃
3	Orange	橙
2	Red	紅
1	Brown	棕
Conn	Wire Color	
Pin Out		

UNIT: mm	
TOLERANCE	± 0.5 mm

TITLE SSL1.2 4P, PLUG CONN+FLAT CABLE			
SCALE 1:1	SIZE A4	SHEET 1 OF 1	
REV. B	WC-REV. A.3	$\text{\textcircled{L}}$: Inspection item	

Amphenol LTW
安費諾亮泰企業股份有限公司

ITEM NO.	DRAWN BY Fisher Wang	DATE 2017-05-17
DWG NO. SSL12-P4LP0-MXXXXX	CHECKED BY Victor Hung	DATE 2017-05-17
CUSTOMER ALTW	APPROVED BY Kevin Hu	DATE 2017-05-17