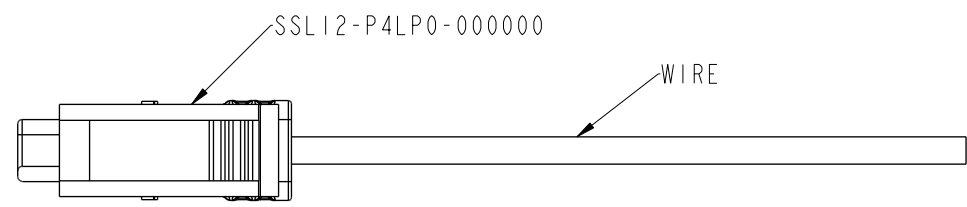
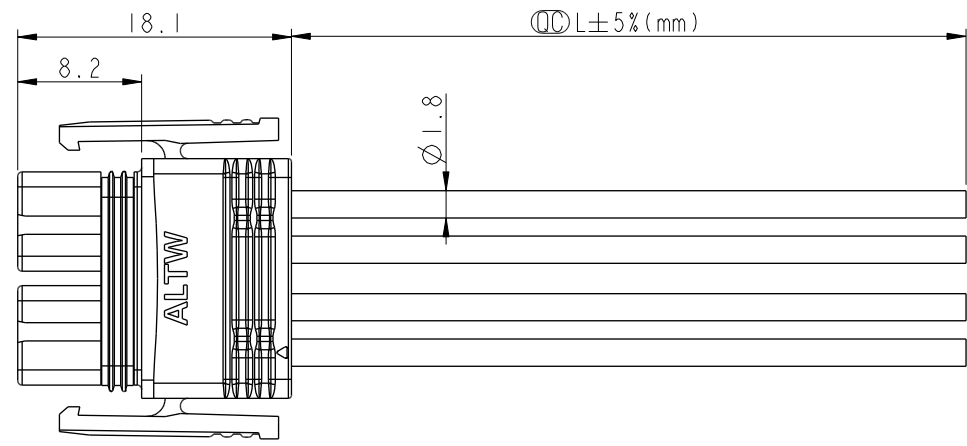
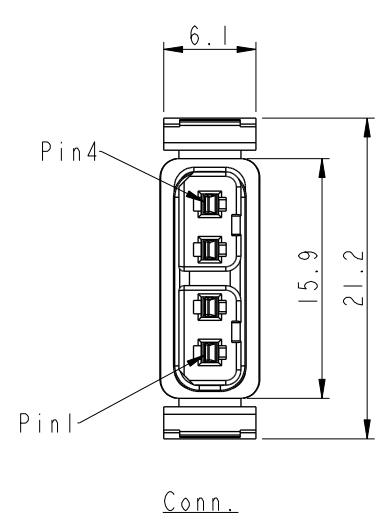


THIS DOCUMENT IS SUBJECT TO CHANGE WITHOUT NOTICE. IT IS CONFIDENTIAL AND A PROPERTY OF Amphenol LTW. DISCLOSURE TO THIRD PARTY HAS TO BE AUTHORIZED BY Amphenol LTW.

REV.	ECN NO.	DATE	SIGN	DESCRIPTION
C	LEN1790242~43	2017-09-14	Ruru	RoHS Label and blue and white label merger
D	C200559	2021-12-22	Kyle Huang	$\triangle D$ X1
E	C220940	2022-06-24	Ruru	$\triangle E$ X3



SSL12-P4LP0-M20AXX

- 01: L=100±20mm
- 02: L=200±20mm
- 04: L=400±25mm
- Wire Length Range(L): 100~9900mm
- 20: 20AWG

- Notes:
- * ⌀ Important Dimension To Check.
 - * Waterproof Rate: IP68(mating).
1M Depth Of Water In 24 Hours.
 - * Housing: Thermoplastic, UL94V-0, Natural White.
 - * Terminal: Copper Alloy, Gold Plated on contact area.
 - * Gasket: Silicone, Gray.
 - * Seals: Silicone, Gray.
 - * Wire: UL1430 20AWG.
 - * Current Rating : 5A maximum.
 - * Voltage Rating: 250V DC/AC maximum.
 - * Operating Temperature: -40~+105°C.

4	Yellow	黃
3	Orange	橙
2	Red	紅
1	Brown	棕
Conn.	Wire	
Pin-out		

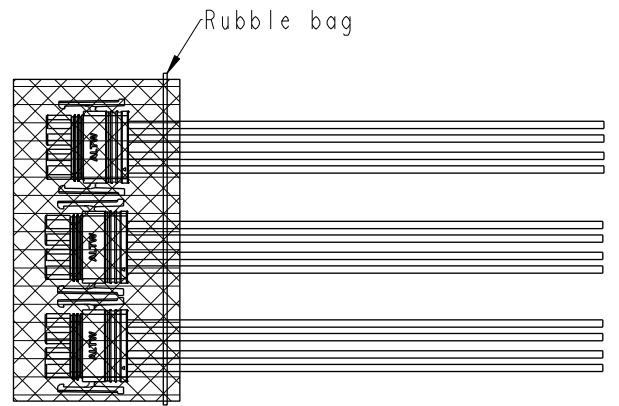
UNIT:mm	⌀	⌀
TOLERANCE		
±0.5mm		

TITLE SSL, 1.2 WP, M, 4P CABLE S W/SR, W/2 LATCH(1.2) $\triangle E$			
SCALE 1:1	SIZE A4	SHEET 1 OF 2	
REV. E	WC-REV. A.7	⌀ Inspection item	

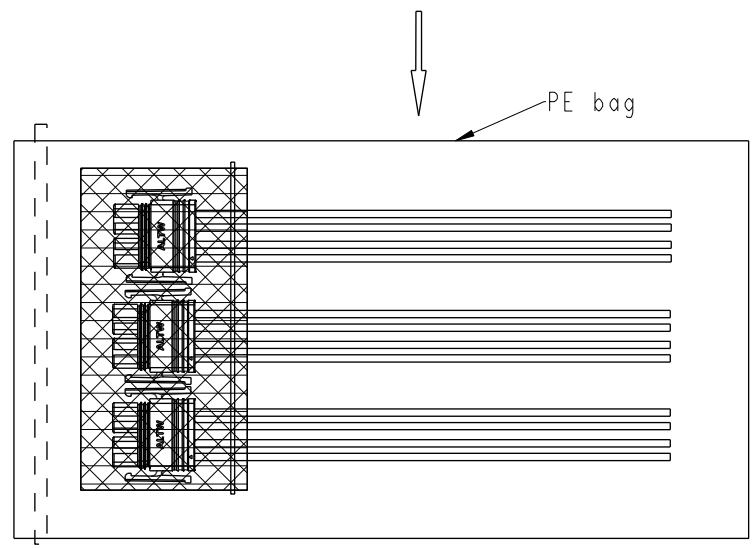
Amphenol LTW
安費諾亮泰企業股份有限公司

ITEM NO	DRAWN BY Ruru	DATE 2017-09-14
DWG NO SSL12-P4LP0-M20AXX	CHECKED BY Rita	DATE 2017-09-14
CUSTOMER ALTW	APPROVED BY Max	DATE 2017-09-14

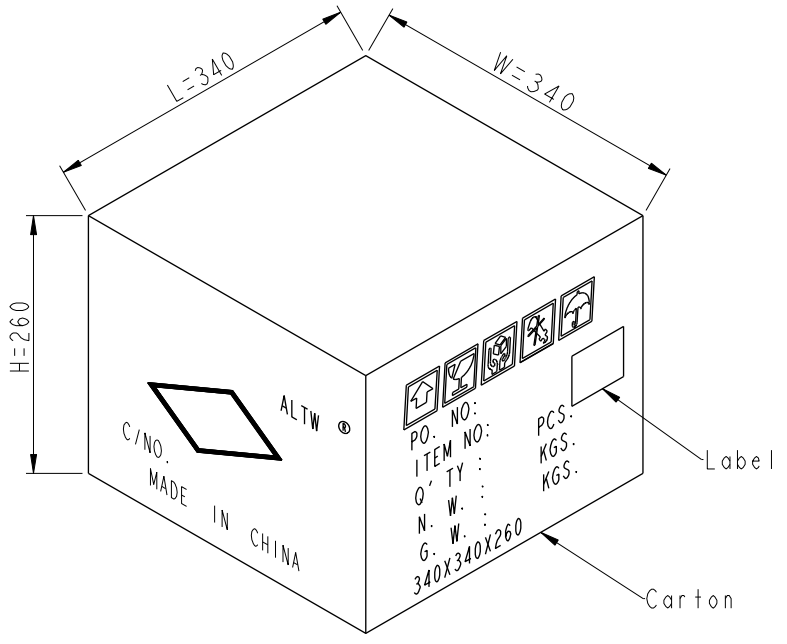
PACKAGE



10pcs connector put on rubble bag, and with a cable ties.



100 Pcs Cable into a PE Bag



UNIT:mm		
TOLERANCE		
±0.5mm		

TITLE		
SSL, 1.2 WP, M, 4P CABLE S W/SR, W/2 LATCH(1.2)		
SCALE	SIZE	SHEET
1:1	A4	2 OF 2
REV.	WC-REV.	QC: Inspection item
E	A.7	

Amphenol LTW
安費諾亮泰企業股份有限公司

ITEM NO	DWG NO
	SSL12-P4LP0-M20AXX
CUSTOMER	
ALTW	

DRAWN BY	CHECKED BY
Ruru	Rita
APPROVED BY	
Max	

DATE	DATE
2017-09-14	2017-09-14
DATE	DATE
2017-09-14	2017-09-14

THIS DOCUMENT IS SUBJECT TO CHANGE WITHOUT NOTICE. IT IS CONFIDENTIAL AND A PROPERTY OF Amphenol LTW. DISCLOSURE TO THIRD PARTY HAS TO BE AUTHORIZED BY Amphenol LTW.