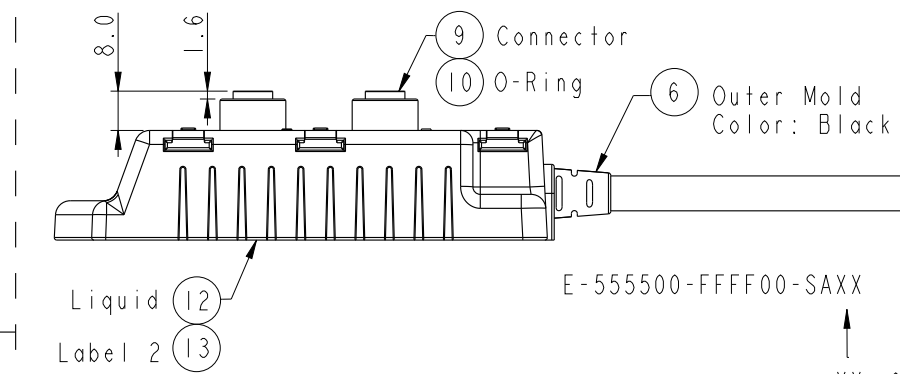
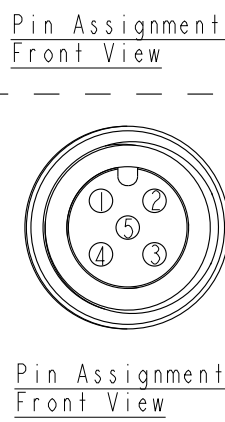
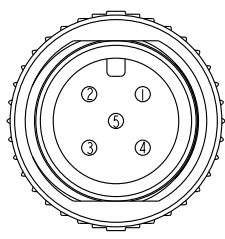
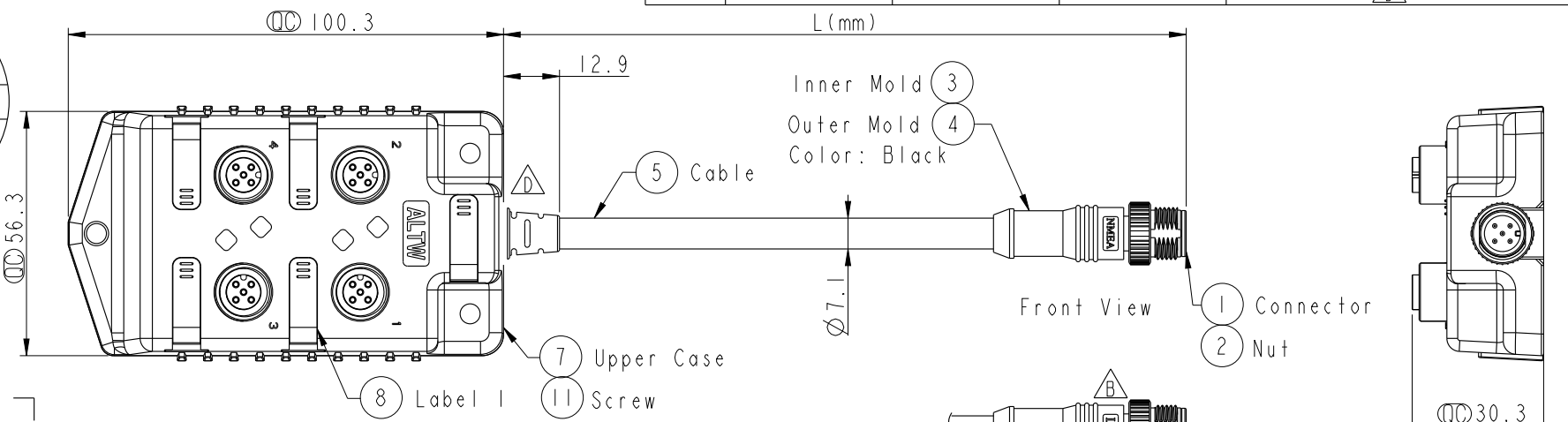


THIS DOCUMENT IS SUBJECT TO CHANGE WITHOUT NOTICE. IT IS CONFIDENTIAL AND A PROPERTY OF Amphenol LTW. DISCLOSURE TO THIRD PARTY HAS TO BE AUTHORIZED BY Amphenol LTW.

REV.	ECN NO.	DATE	SIGN	DESCRIPTION
B	LEN15C0329-332	2015/12/09	Ruru	Change Logo LTW To Amphenol
C	LE317C0066-068	2017/12/21	Tracy Hsu	Modify UPPERCASE AND Label I Material
D	CI92044	2019-11-25	Fu	\triangle *1

ALTW
CONFIDENTIAL
2019-11-25
R&D DEPT.



5	Blue 藍	(24AWG)	Twist
4	White 白	(24AWG)	
3	Black 黑	(22AWG)	Twist
2	Red 紅	(22AWG)	
1	Drain	(22AWG)	
Conn.	Wire Color		
	Pin Out		

E-555500-FFFF00-SAXX

XX :01~99Meters
01 :01Meter
02 :02Meters
:
:
99 :99Meters

Cable Length(L):01~99eters

Note:
 * \varnothing Important Dimension
 * Waterproof Rate: IP68
 * Panel Connector: Nylon+GF, Black
 * Cable Connector: PU, Black
 * Pin: Copper Alloy, Gold Plated
 * Upper Case Material: PC+PBT, Black
 * Label I Material: PC+PBT, White
 * Cable: (22AWG*1P+1)+(24AWG*1P+1)+Drain+Al.Mylar+Braid, OD=7.1mm
 * Cable Length Tolerance: 01M: ± 40 mm
 02M~05M: ± 60 mm
 06M~10M: ± 100 mm
 11M~30M: ± 200 mm
 31M~99M: ± 500 mm

UNIT:mm

TOLERANCE	
.X	± 0.25
.XX	± 0.1
.XXX	± 0.05
ANGLES	$\pm 1^\circ$

TITLE			
NMEA2000 MICRO-C EXTENSION-CORD			
SCALE	1:4	SIZE	A4
SHEET	1	OF	1
REV.	D	WC-REV.	A.2
\varnothing : Inspection item			

Amphenol LTW
安費諾亮泰企業股份有限公司

ITEM NO	DRAWN BY	DATE
	Tracy Hsu	2017-12-21
DWG NO	CHECKED BY	DATE
E-555500-FFFF00-SAXX	Jason Yu	2017-12-21
CUSTOMER	APPROVED BY	DATE
ALTW	Kevin Hu	2017-12-21