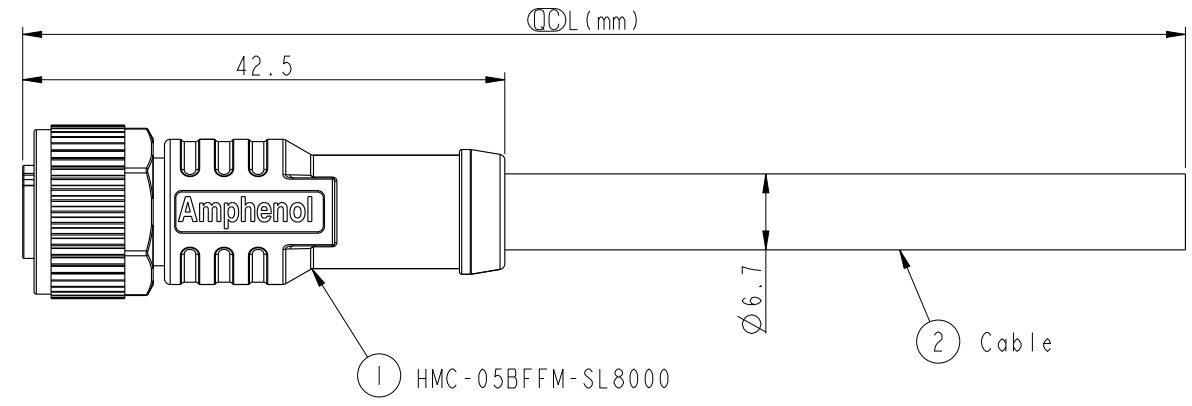
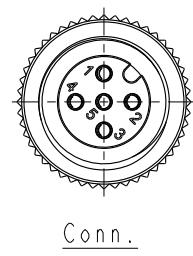


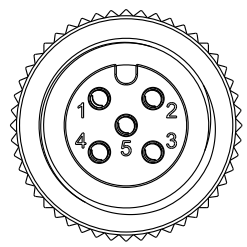
THIS DOCUMENT IS SUBJECT TO CHANGE WITHOUT NOTICE. IT IS CONFIDENTIAL AND A PROPERTY OF Amphenol LTW. DISCLOSURE TO THIRD PARTY HAS TO BE AUTHORIZED BY Amphenol LTW.

REV.	ECN NO.	DATE	SIGN	DESCRIPTION
A	Initial Release	2017-03-15	Frank Deng	Change Rev.01 To Rev.A
B	LEN1770175	2017-07-03	Frank Deng	Change Note



HMC-05BFFM-SL8AXX
 T
 XX: 01~99Meters
 01: 01Meter
 02: 02Meters
 ...
 99: 99Meters
 Cable Length(L): 01~99Meters

- Note:**
- * \varnothing Important Dimension To Check.
 - * Waterproof Rate: IP68
In 1 meter water within 24 hours
 - * Connector: PU, Black
 - * Nut: Zinc Alloy, Nickel Plated
 - * F Pin: Copper Alloy, Gold Plated 30u"
 - * Outer Mold: PU, Blue
 - * Cable: CL2, (24#*IP+A/M)+(22#*IP+A/M)+D+B, PVC UV Cable, OD=6.7mm, Black
 - * Cable Length Tolerance: 01M: ±40mm
02M~05M: ±60mm
06M~10M: ±100mm
11M~30M: ±200mm
31M~99M: ±500mm



5	Blue 藍	24#	Twist
4	White 白	24#	
3	Black 黑	22#	Twist
2	Red 紅	22#	
1	Drain 地線	22#	
Conn.	Wire Color		
Pin Out			

UNIT:mm		
TOLERANCE		
±0.5mm		

TITLE NMEA2000 SINGLE ENDED CABLE MICRO-C, F CONN F PIN, METAL			
SCALE Free	SIZE A4	SHEET 1 OF 1	
REV. B	WC-REV. A.2	\varnothing : Inspection item	

Amphenol LTW
 安費諾亮泰企業股份有限公司

ITEM NO	DRAWN BY Frank Deng	DATE 2017-07-06
DWG NO HMC-05BFFM-SL8AXX	CHECKED BY Fisher Wang	DATE 2017-07-06
CUSTOMER ALTW	APPROVED BY Kevin Hu	DATE 2017-07-06