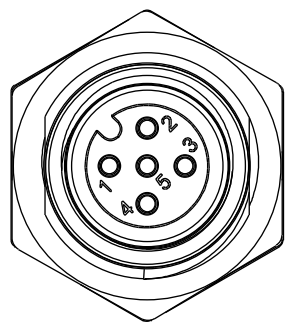
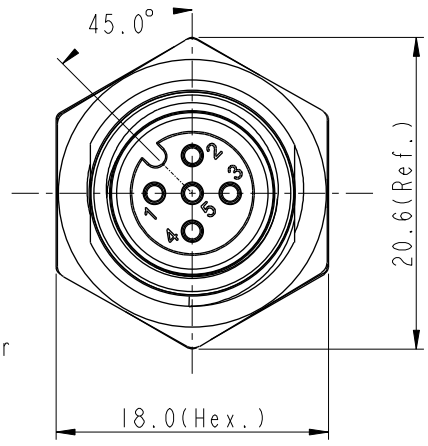
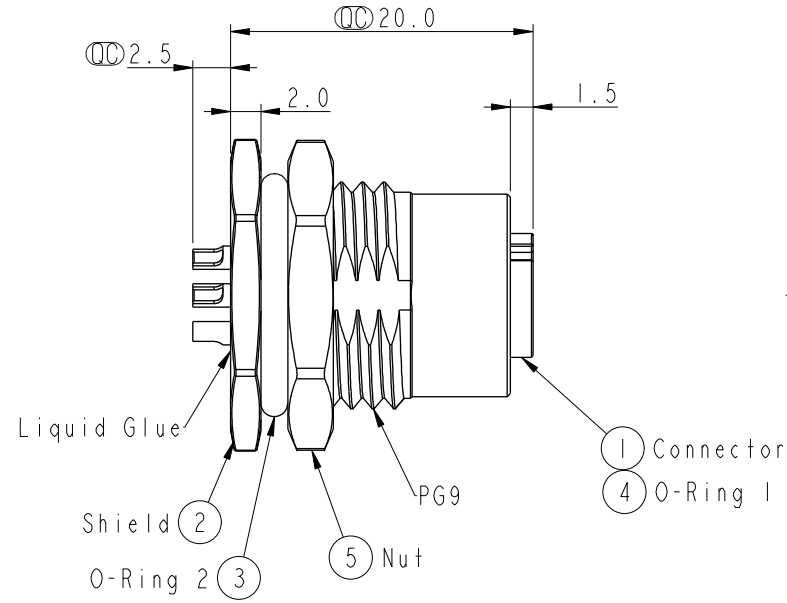
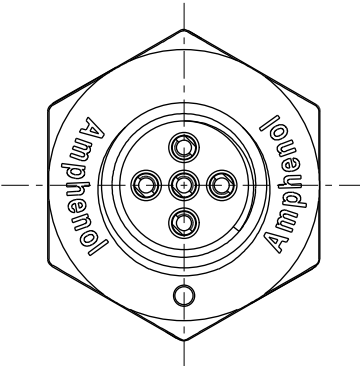


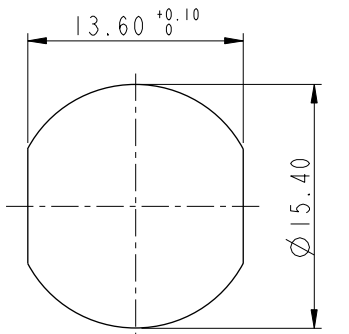
THIS DOCUMENT IS SUBJECT TO CHANGE WITHOUT NOTICE. IT IS CONFIDENTIAL AND A PROPERTY OF Amphenol LTW. DISCLOSURE TO THIRD PARTY HAS TO BE AUTHORIZED BY Amphenol LTW.

REV.	ECN NO.	DATE	SIGN	DESCRIPTION
A	Initial Release	2017/03/31	Frank Deng	Change Rev.01 To Rev.A
B	LEN1770184	2017/07/03	Frank Deng	Change Note
C	CI90517	2019/04/01	Vicky	Change Note

ALTW
CONFIDENTIAL
 2019-04-01
R&D DEPT.



Pin Assignments
Front View



Recommended
Panel Cut-Out

- Note:**
- * \varnothing Important Dimension.
 - * Waterproof Rate: IP68, Unmated.
IP68: 1M Depth Of Water In 24hours.
 - * Housing: Thermoplastic, Black.
 - * Pin: Copper Alloy, Gold Plated.
 - * Shield: Metal, Nickel Plated.
 - * O-Ring1: Rubber, Gray.
 - * O-Ring2: Rubber, Gray.
 - * Nut: Metal, Nickel Plated.
 - * For Panel Thickness Max 4.5mm.
 - * Nut are packed separately in PE bags.

UNIT: mm TOLERANCE .X ± 0.25 .XX ± 0.1 .XXX ± 0.05 ANGLES $\pm 1^\circ$	TITLE NMEA2000, MICRO-C, PANEL, SOLDER 5PIN, F CONN F PIN, METAL			<h1>Amphenol LTW</h1> <h2>安費諾亮泰企業股份有限公司</h2>		ITEM NO HMC-05PFFS-SF8001	DRAWN BY Vicky	DATE 2019-04-01
	SCALE 2:1	SIZE A4	SHEET 1 OF 1	DWG NO HMC-05PFFS-SF8001	CHECKED BY Rita	DATE 2019-04-01		
	REV. C	WC-REV. A.2	\varnothing Inspection item	CUSTOMER ALTW	APPROVED BY Max	DATE 2019-04-01		