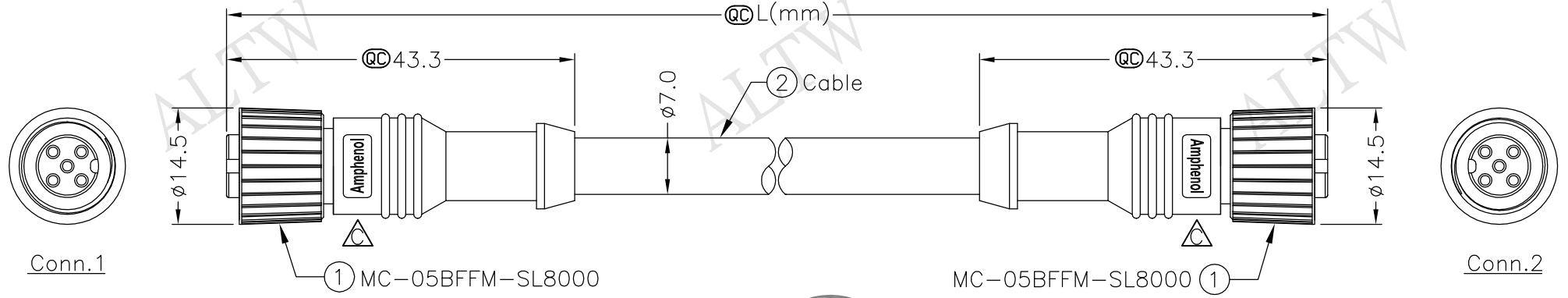
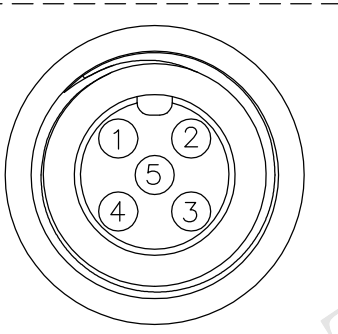
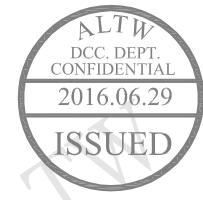


5	6	7	8
REV.	ECN NO.	DATE	SIGN
B	LE3-030048~51	2010/02/22	Tina
C	LEN1660899~903	2016/06/21	Vicky
			DESCRIPTION
			Change Conn.1&Conn.2
			Update Logo

THIS DOCUMENT IS SUBJECT TO CHANGE WITHOUT NOTICE. IT IS CONFIDENTIAL AND A PROPERTY OF Amphenol LTW. DISCLOSURE TO THIRD PARTY HAS TO BE AUTHORIZED BY Amphenol LTW.



MC-000505-OFF-CSBXX
 XX:01~99Meters
 01:01Meter
 02:02Meters
 :
 :
 99:99Meters
 Cable Length(L):01~99Meters



Pin Assignments
Front View

5	Blue 藍	(22AWG)	5	Twist
4	White 白	(22AWG)	4	
3	Black 黑	(18AWG)	3	Twist
2	Red 紅	(18AWG)	2	
1	Drain 地線	(22AWG)	1	
Conn.1	Wire Color		Conn.2	
	Pin Out			

Note:
 * QC Important Dimension.
 * Waterproof Rate: IP68
 * Connector: Polyurethane (PU), Black
 * Female Pin: Copper Alloy, Gold Plated
 * Cable: Black,(22#*1P+A)+(18#*1P+A)+Drain+AL.Mylar+Braid
 PVC UV Cable OD=7.0mm
 * Cable Length Tolerance: 1M:±40mm
 02M~05M:±60mm
 06M~10M:±100mm
 11M~30M:±200mm
 31M~99M:±500mm

UNIT:mm		TITLE	M12 Conn NMEA I Adapt Screw FF Conn FF Pin	Amphenol LTW	ITEM NO	DRAWN BY	Vicky	DATE	2016/06/21
TOLERANCE	±0.5 mm	SCALE	Free	安費諾亮泰企業股份有限公司	DWG NO	CHECKED BY	Rita	DATE	2016/06/21
REV.	C	SHEET	1 OF 1		CUSTOMER	APPROVED BY	Lisa	DATE	2016/06/21
		SIZE	A4						
		QC	:Inspection Item						