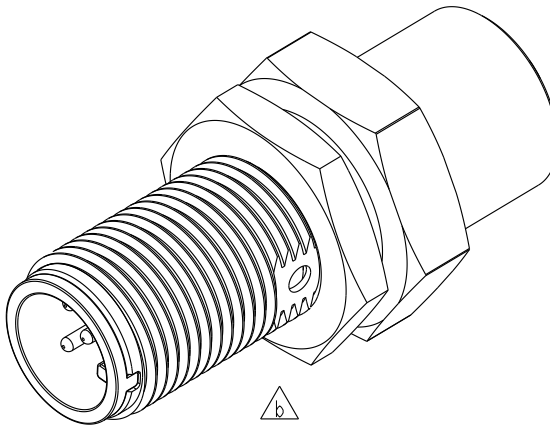
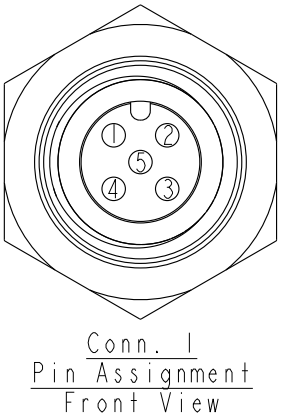
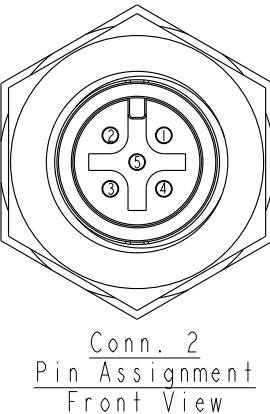
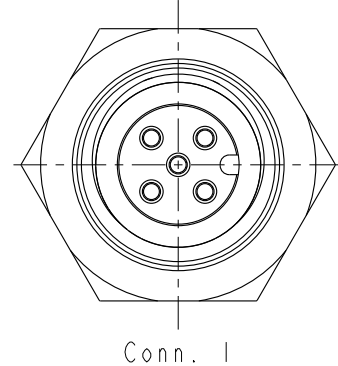
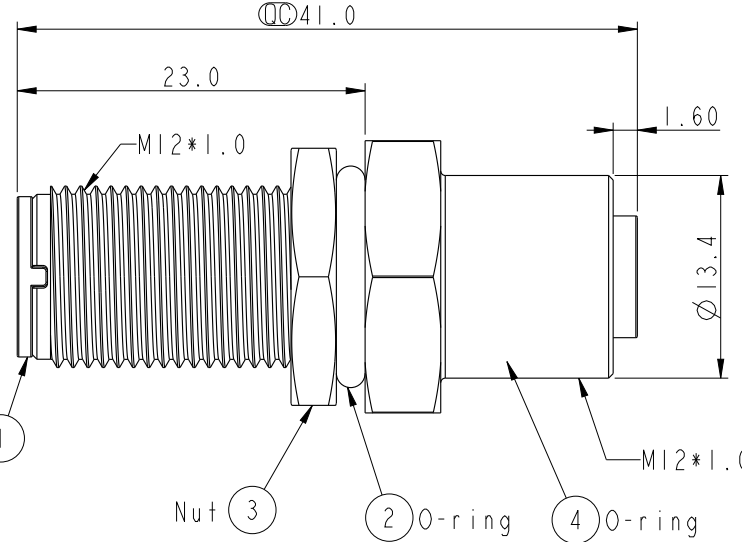
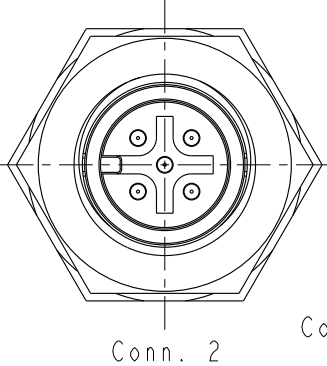
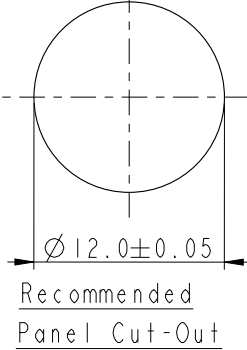


REV.	ECN NO.	DATE	SIGN	DESCRIPTION
B	C191202	2019-07-16	Peng	Change The View

**ALTW**  
**CONFIDENTIAL**  
 2019-07-16  
 R&D DEPT.



- Note:
- \*  $\varnothing$  Important Dimension.
  - \* Waterproof Rate: IP68
  - \* Conn.1&2: Nylon+30%GF, Black
  - \* Pin: Copper Alloy, Gold Plated
  - \* Shield: Brass, Nickel Plated
  - \* Nut: Brass, Nickel Plated
  - \* Liquid Glue: Clear
  - \* O-Ring: EPDM
  - \* O-Ring: Viton

UNIT:mm		TITLE		ITEM NO	DRAWN BY	DATE
		M12 Conn NMEA Bulkhead Screw MF Conn MF Pin				
TOLERANCE		SCALE	SIZE	DWG NO	CHECKED BY	DATE
.X ±0.25		2:1	A4	MC-000505-0FM-BS001	Feng_Li	2019-07-16
.XX ±0.1		REV.	WC-REV.	CUSTOMER	APPROVED BY	DATE
.XXX ±0.05		B	A.1	ALTW	Jerry	2019-07-16
ANGLES ±1°		Inspection item				

**Amphenol LTW**  
 安費諾亮泰企業股份有限公司

THIS DOCUMENT IS SUBJECT TO CHANGE WITHOUT NOTICE. IT IS CONFIDENTIAL AND A PROPERTY OF Amphenol LTW. DISCLOSURE TO THIRD PARTY HAS TO BE AUTHORIZED BY Amphenol LTW.