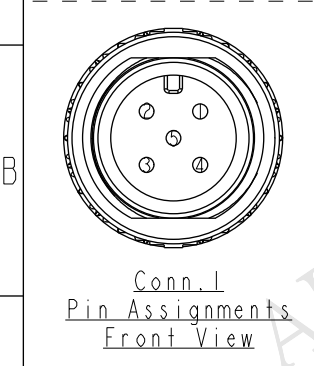
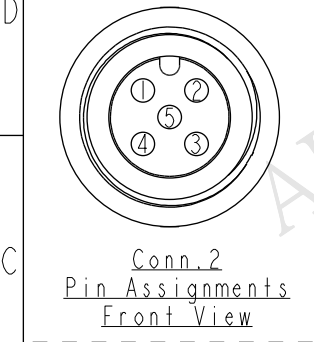
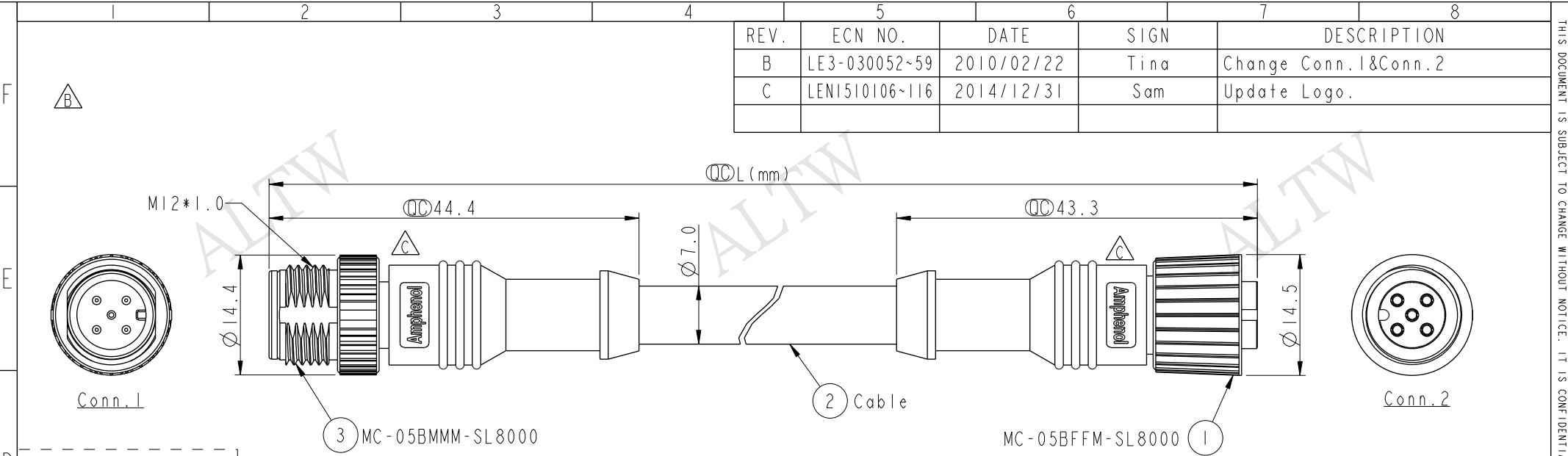
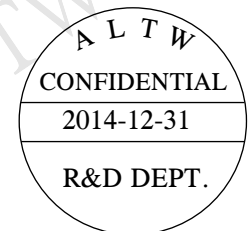


REV.	ECN NO.	DATE	SIGN	DESCRIPTION
B	LE3-030052~59	2010/02/22	Tina	Change Conn.1&Conn.2
C	LENI510106~116	2014/12/31	Sam	Update Logo.



MC-000505-0MF-CSBXX
 XX: 01~99Meters
 01: 01Meter
 02: 02Meters
 ...
 99: 99Meters
 Cable Length(L): 01~99Meters



5	Blue	藍	(22AWG)	5	Twist
4	White	白	(22AWG)	4	
3	Black	黑	(18AWG)	3	Twist
2	Red	紅	(18AWG)	2	
1	Drain	地線	(22AWG)	1	
Conn.1	Wire Color			Conn.2	
Pin Out					

- Notes:
- * (∅) Important Dimension.
 - * Waterproof Rate: IP68.
 - * Connector: Polyurethane (PU), Black.
 - * Pin: Copper Alloy, Gold Plated.
 - * Cable: Black, (22#*1P+A)+(18#*1P+A)+Drain+AL.Mylar+Braid PVC UV Cable, OD=7.0mm.
 - * Cable Length Tolerance: 01M: ±40mm
 02M~05M: ±60mm
 06M~10M: ±100mm
 11M~30M: ±200mm
 31M~99M: ±500mm

UNIT:mm TOLERANCE ±0.5 mm	TITLE M12P Conn NMEA 1 Adapt Screw MF Conn MF Pin		Amphenol LTW 安費諾亮泰企業股份有限公司		ITEM NO	DRAWN BY Sam	DATE 2014-12-31		
	SCALE 3:2	SIZE A4			SHEET 1	OF 1	DWG NO MC-000505-0MF-CSBXX	CHECKED BY Vicky	DATE 2014-12-31
	REV. C	WC-REV. A.1			∅: Inspection item		CUSTOMER ALTW	APPROVED BY Rita	DATE 2014-12-31

THIS DOCUMENT IS SUBJECT TO CHANGE WITHOUT NOTICE. IT IS CONFIDENTIAL AND A PROPERTY OF Amphenol LTW. DISCLOSURE TO THIRD PARTY HAS TO BE AUTHORIZED BY Amphenol LTW.