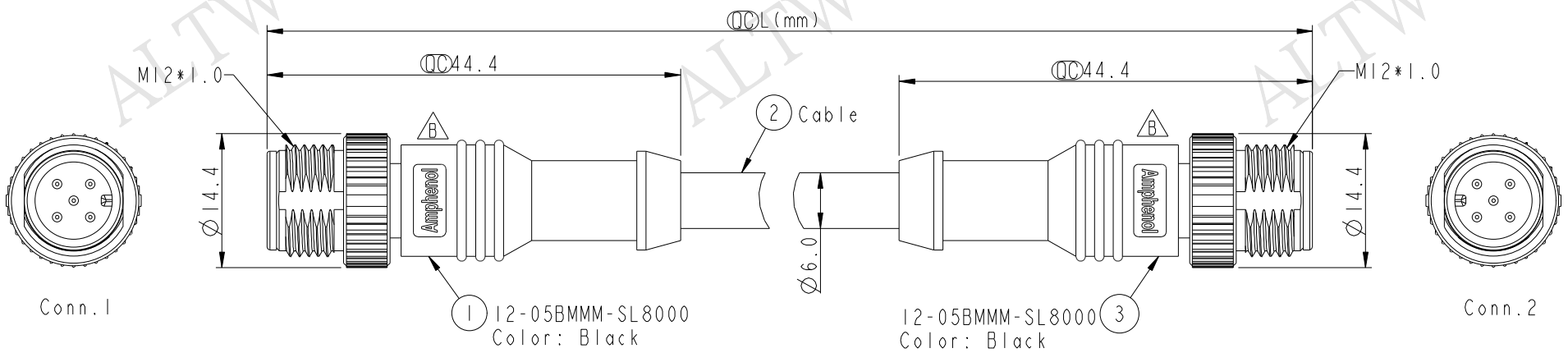


THIS DOCUMENT IS SUBJECT TO CHANGE WITHOUT NOTICE. IT IS CONFIDENTIAL AND A PROPERTY OF Amphenol LTW. DISCLOSURE TO THIRD PARTY HAS TO BE AUTHORIZED BY Amphenol LTW.

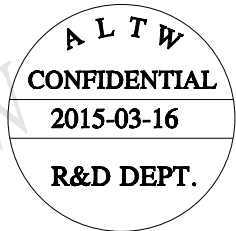
REV.	ECN NO.	DATE	SIGN	DESCRIPTION
B	LEN1530132-135	2015/03/16	Jinhai	Change Logo



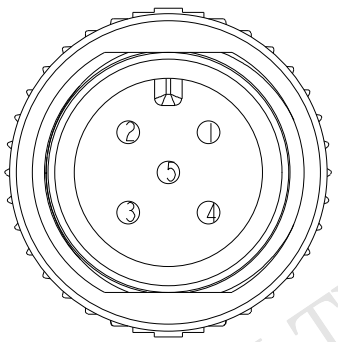
MC-000505-0MM-CSAXX

XX : 01~99Meters  
 01 : 01Meter  
 02 : 02Meters  
 ...  
 99 : 99Meters

Cable Length(L): 01~99Meters



- Notes:
- \*  $\varnothing$  Important Dimension.
  - \* Waterproof Rate: IP68.  
In 1 meter water within 24 hours.
  - \* Connector: Polyurethane (PU), Black
  - \* Male Pin: Copper Alloy, Gold Plated.
  - \* Cable: Black, (24#\*1P+A)+(22#\*1P+A)+Drain +AL.Mylar+Braid, PVC UV Cable OD=6.0mm
  - \* Cable Length Tolerance: 01M: ±40mm  
02M~05M: ±60mm  
06M~10M: ±100mm  
11M~30M: ±200mm  
31M~99M: ±500mm



Pin Assignments Front View

5	Blue	(24AWG)	5	Twist
4	White	(24AWG)	4	
3	Black	(22AWG)	3	Twist
2	Red	(22AWG)	2	
1	Drain	(22AWG)	1	
Conn.1	Wire Color		Conn.2	
Pin Out				

UNIT:mm		
TOLERANCE	±0.5mm	

TITLE M12 Conn NMEA 1 Adapt Screw MM Conn MM Pin			
SCALE 3:2	SIZE A4	SHEET 1 OF 1	
REV. B	WC-REV. A.1	$\varnothing$ : Inspection item	

**Amphenol LTW**  
 安費諾亮泰企業股份有限公司

ITEM NO	DRAWN BY Jinhai	DATE 2015-03-16
DWG NO MC-000505-0MM-CSAXX	CHECKED BY Tom	DATE 2015-03-16
CUSTOMER ALTW	APPROVED BY Jerry	DATE 2015-03-16