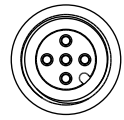
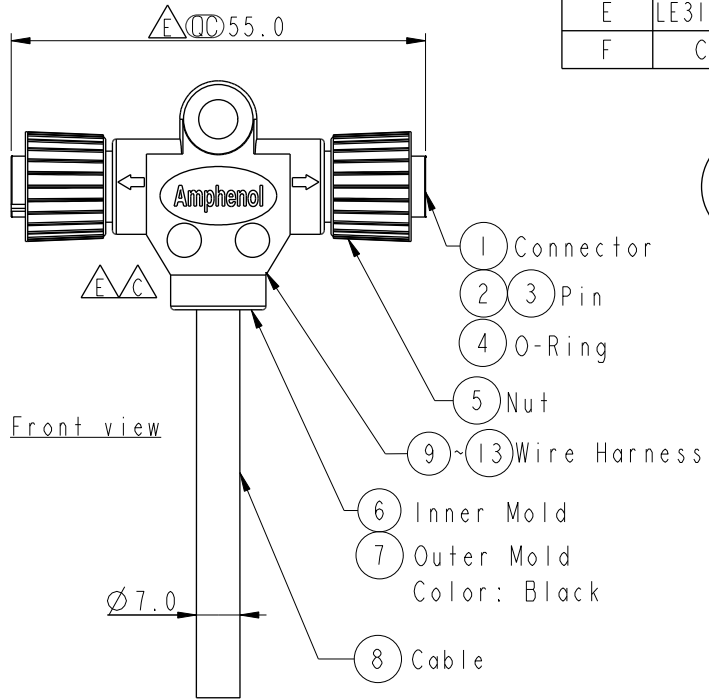


THIS DOCUMENT IS SUBJECT TO CHANGE WITHOUT NOTICE. IT IS CONFIDENTIAL AND A PROPERTY OF Amphenol LTW. DISCLOSURE TO THIRD PARTY HAS TO BE AUTHORIZED BY Amphenol LTW.

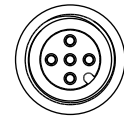
REV.	ECN NO.	DATE	SIGN	DESCRIPTION
D	LEN1640117~120	2016/04/08	Ruru	Modify Line Position
E	LE31720082~085	2017/02/07	Ruru	Change Logo & Outer Mold Design
F	C200912	2020/06/18	Vicky	△F*4



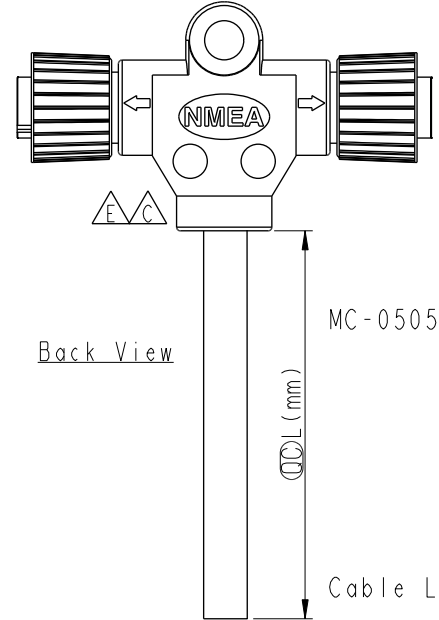
Conn. 1



Front view



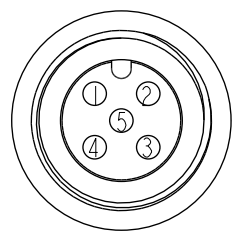
Conn. 2



Back View

MC-050500-FF0-TSBXX

XX: 01~99Meter  
 01: 01Meter  
 02: 02Meters  
 ...  
 99: 99Meters  
 Cable Length(L): 01~99Meters



Conn. 1&2  
Pin Assignment  
Front View

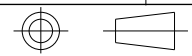
5	Blue (22AWG)藍	5	Blue (22AWG)藍
4	White (22AWG)白	4	White (22AWG)白
3	Black (18AWG)黑	3	Black (18AWG)黑
2	Red (18AWG)紅	2	Red (18AWG)紅
1	Green (22AWG)綠	1	Drain (22AWG)地線
Conn. 1	Wire Harness	Conn. 2	Cable

Pin Out

Note:

- \* (CC) Important Dimension.
- △F \* Waterproof Rate: IP68, Mated  
IP68: 1M Depth Of Water In 24hours.
- △F \* Connector: Thermoplastic, Black
- \* Female Pin: Copper Alloy, Gold Plated
- \* Cable: (22#\*IP+A)+(18#\*IP+A)+Drain+AL.Mylar+Braid, Black  
PVC UV Cable OD=7.0mm
- \* Wire Harness: UL1007/TR64 22AWG, OD=0.76mm, Green, White, Blue.
- \* Wire Harness: UL1007/TR64 18AWG, OD=1.20mm, Red, Black.
- △C△F \* Cable Length Tolerance: 01M: +50/-0mm  
02M~03M: +100/-0mm  
04M~05M: +150/-0mm  
06M~10M: ±100mm  
11M~20M: ±200mm  
21M~30M: ±300mm  
31M~99M: ±500mm

UNIT:mm



TOLERANCE

±0.5 mm

TITLE ACC, NMEA, N-APVD, T ADA W/ CB  
FF, 55

SCALE	1:1	SIZE	A4	SHEET	1	OF	1
REV.	F	WC-REV.	A.4	(CC): Inspection item			

**Amphenol LTW**

安費諾亮泰企業股份有限公司

ITEM NO	MC-050500-FF0-TSBXX
DWG NO	MC-050500-FF0-TSBXX
CUSTOMER	ALTW

DRAWN BY	Ruru
CHECKED BY	Rita
APPROVED BY	Max

DATE	2017-02-07
DATE	2017-02-07
DATE	2017-02-07