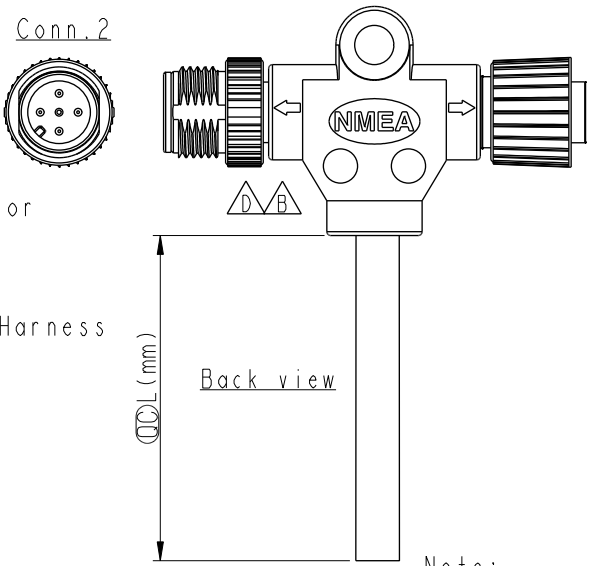
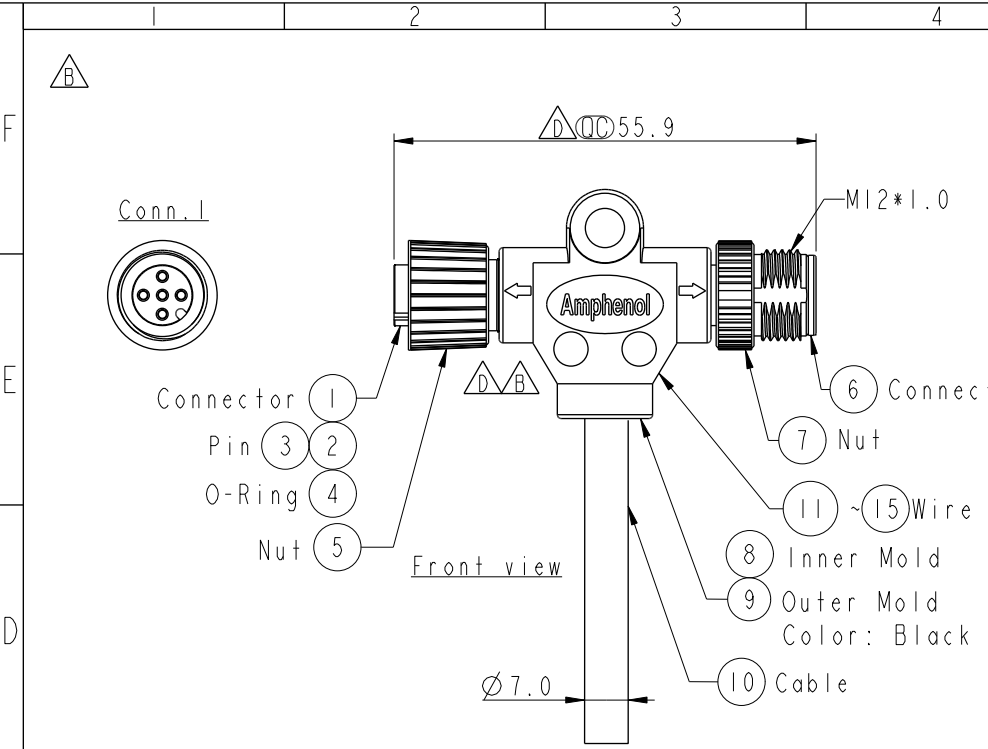
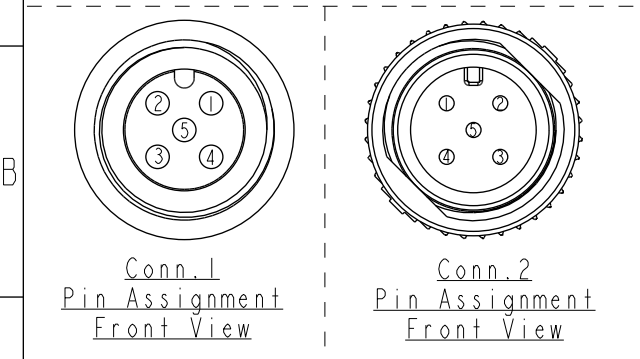


REV.	ECN NO.	DATE	SIGN	DESCRIPTION
C	LENI640113~116	2016/04/08	Ruru	Modify Line position
D	LE31720086~089	2017/02/08	Ruru	Change Logo & Outer Mold Design
E	C200912	2020/06/18	Vicky	$\triangle E$ *4



MC-050500-FM0-TSBXX
 XX: 01~99Meter
 01: 01Meter
 02: 02Meters
 ...
 99: 99Meters
 Cable Length(L): 01~99Meters

- Note:
- * CC Important Dimension.
 - $\triangle E$ * Waterproof Rate: IP68, Mated
IP68: 1M Depth Of Water In 24hours.
 - $\triangle E$ * Connector: Thermoplastic, Black
 - * Male Pin: Copper Alloy, Gold Plated
 - * Female Pin: Copper Alloy, Gold Plated
 - * Cable: (22#*1P+A)+(18#*1P+A)+Drain, Black +AL.Mylar+Braid PVC UV Cable OD=7.0mm
 - * Wire Harness: UL1007/TR64 22AWG, OD=0.76mm, Green, White, Blue.
 - * Wire Harness: UL1007/TR64 18AWG, OD=1.20mm, Red, Black.
 - $\triangle E$ * Cable Length Tolerance: 01M: +50/-0mm
02M~03M: +100/-0mm
04M~05M: +150/-0mm
06M~10M: ± 100 mm
11M~20M: ± 200 mm
21M~30M: ± 300 mm
31M~99M: ± 500 mm



5	Blue (22AWG)藍	5	Blue (22AWG)藍
4	White (22AWG)白	4	White (22AWG)白
3	Black (18AWG)黑	3	Black (18AWG)黑
2	Red (18AWG)紅	2	Red (18AWG)紅
1 $\triangle C$	Green (22AWG)綠	1 $\triangle C$	Drain (22AWG)地線
Conn.1	Wire Harness	Conn.2	Cable
Pin Out			

UNIT:mm	CC	TITLE
TOLERANCE	± 0.5 mm	ACC, NMEA, N-APVD, T ADA W/ CB FM, 55
SCALE	1:1	SIZE
REV.	E	WC-REV.
		A.5
		CC : Inspection item

Amphenol LTW
 安費諾亮泰企業股份有限公司

ITEM NO	DRAWN BY	DATE
DWG NO	CHECKED BY	DATE
CUSTOMER	APPROVED BY	DATE
MC-050500-FM0-TSBXX	Ruru	2017-02-08
ALTW	Rita	2017-02-08
	Max	2017-02-08