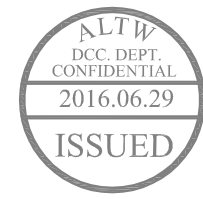
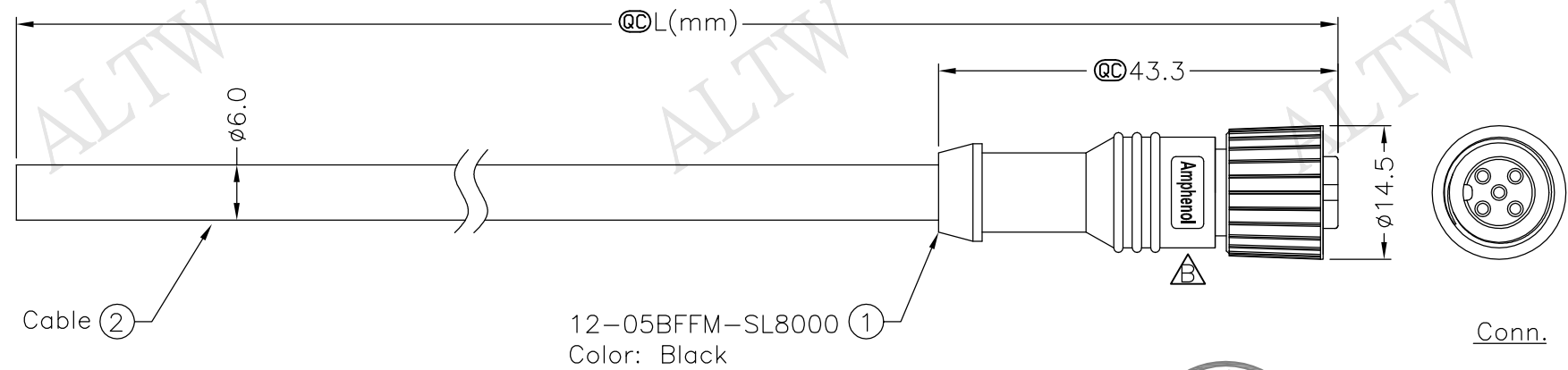
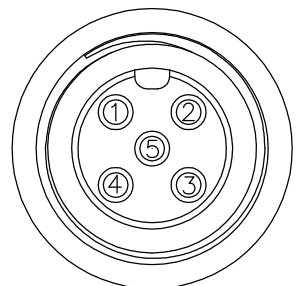


5	6	7	8
REV. B	ECN NO. LEN1660909~914	DATE 2016/06/22	SIGN Vicky
			DESCRIPTION Update Logo



MC-05BFFM-SL8AXX  
 XX:01~99Meters  
 01:01Meter  
 02:02Meters  
 :  
 :  
 99:99Meters  
 Cable Length(L):01~99Meters

- Note:
- \*  $\text{QC}$  Important Dimension.
  - \* Waterproof Rate: IP68  
 IP68: 1M Depth Of Water In 24hours
  - \* Connector: Polyurethane (PU), Black
  - \* Female Pin: Copper Alloy, Gold Plated
  - \* Cable: (24AWG\*1P+Al)+(22AWG\*1P+Al)+Drain +Al.Mylar+Braid, OD=6.0mm, Black
  - \* Cable Length Tolerance: 1M:±40mm  
 02M~05M:±60mm  
 06M~10M:±100mm  
 11M~30M:±200mm  
 31M~99M:±500mm



5	Blue (24AWG)	藍	Twist
4	White (24AWG)	白	
3	Black (22AWG)	黑	Twist
2	Red (22AWG)	紅	
1	Shield (22AWG)		
Conn.	Wire Color		
	Pin Out		

UNIT:mm	
TOLERANCE	±0.5 mm

TITLE M12 Conn NMEA	
Cable Screw 5Pin F Conn F Pin	
SCALE Free	SHEET 1 OF 1
REV. B	SIZE A4
$\text{QC}$ :Inspection Item	

**Amphenol LTW**  
 安費諾亮泰企業股份有限公司

ITEM NO	DRAWN BY Vicky	DATE 2016/06/22
DWG NO MC-05BFFM-SL8AXX	CHECKED BY Rita	DATE 2016/06/22
CUSTOMER ALTW	APPROVED BY Lisa	DATE 2016/06/22

THIS DOCUMENT IS SUBJECT TO CHANGE WITHOUT NOTICE. IT IS CONFIDENTIAL AND A PROPERTY OF Amphenol LTW. DISCLOSE TO THIRD PARTY HAS TO BE AUTHORIZED BY Amphenol LTW.

F  
E  
D  
C  
B  
A

1 2 3 4 5 6 7 8