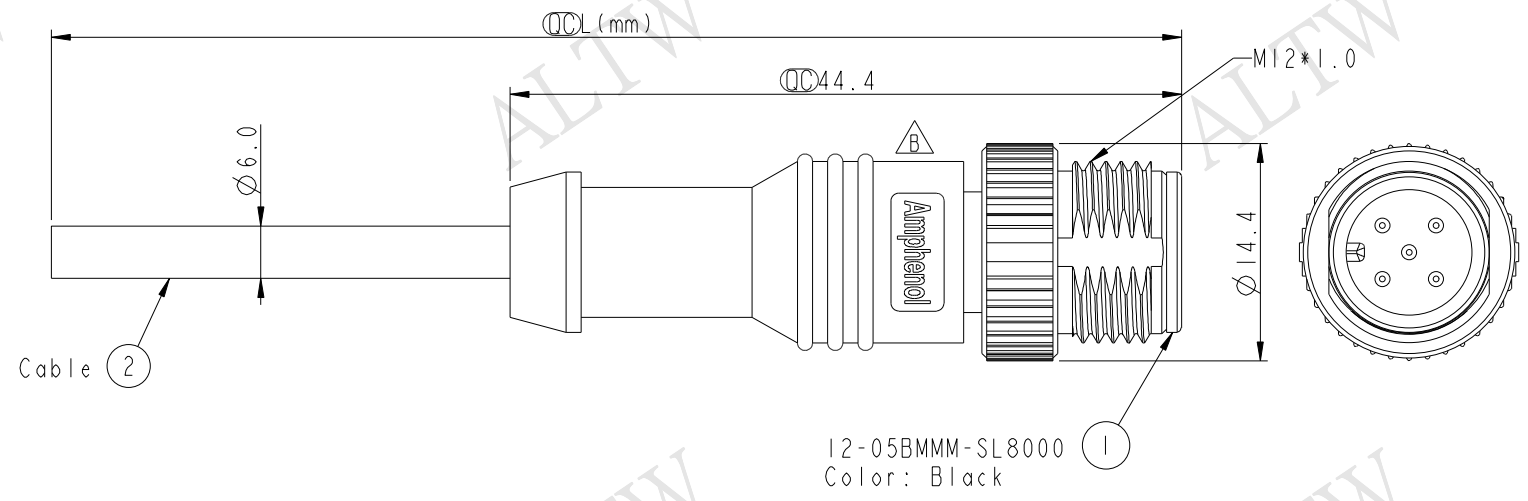
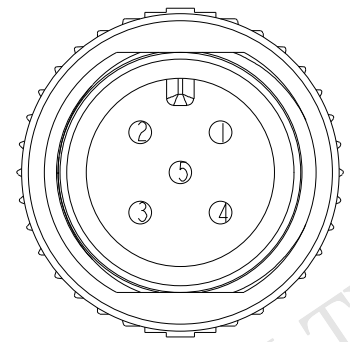
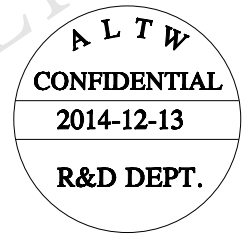


THIS DOCUMENT IS SUBJECT TO CHANGE WITHOUT NOTICE. IT IS CONFIDENTIAL AND A PROPERTY OF Amphenol LTW. DISCLOSURE TO THIRD PARTY HAS TO BE AUTHORIZED BY Amphenol LTW.

REV.	ECN NO.	DATE	SIGN	DESCRIPTION
B	LEN1530137-141	2014/12/13	Jinhai	Change Logo



12-05BMMM-SL8AXX  
 ↑  
 XX:01~99Meters  
 01:01 Meters  
 02:02 Meters  
 ...  
 99:99 Meters  
 Cable Length(L):01~99Meters



Pin Assignments  
Front View

5	Blue	(24AWG)	Twist
4	White	(24AWG)	
3	Black	(22AWG)	Twist
2	Red	(22AWG)	
1	Shield	(22AWG)	
Conn.	Wire Color	Pin Out	

- Notes:
- \*  $\varnothing$  Important Dimension.
  - \* Waterproof Rate: IP68.
  - \* Connector: Polyurethane (PU), Black
  - \* Male Pin: Copper Alloy, Gold Plated
  - \* Cable: (24AWG\*IP+AI)+(22AWG\*IP+AI)+Drain+Al.Mylar+Braid, OD=6.0mm
  - \* Cable Length Tolerance: 1M~10M±5%, 11M~99M±500mm.

UNIT:mm		
TOLERANCE	±0.5mm	

TITLE M12 Conn NMEA Cable Screw 5P M Conn M Pin			
SCALE 2:1	SIZE A4	SHEET 1 OF 1	
REV. B	WC-REV. A.1	$\varnothing$ : Inspection item	

**Amphenol LTW**  
 安費諾亮泰企業股份有限公司

ITEM NO	DRAWN BY Jinhai	DATE 2014-12-13
DWG NO MC-05BMMM-SL8AXX	CHECKED BY Tom	DATE 2014-12-13
CUSTOMER ALTW	APPROVED BY Jerry	DATE 2014-12-13