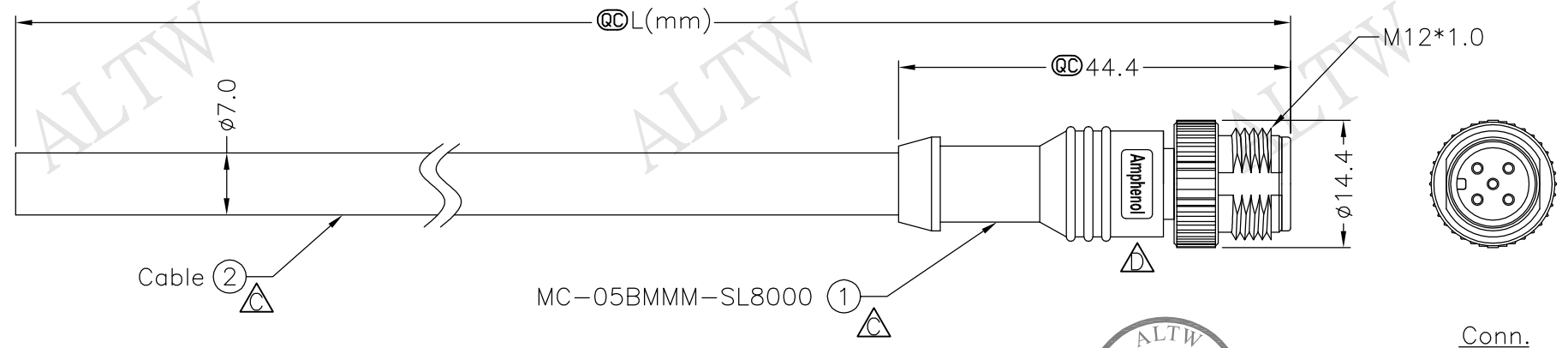
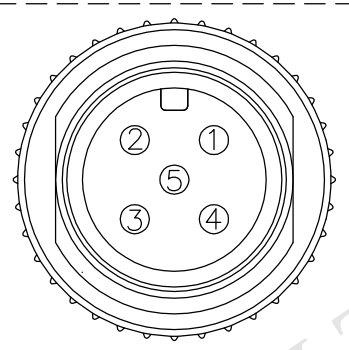


REV.	ECN NO.	DATE	SIGN	DESCRIPTION
B	LEN-840075~78	2008/04/19	LiChiCheng	Change Note
C	LE3-030069~72	2010/02/22	Tina	Change to Conn.
D	LEN1660920~924	2016/06/22	Vicky	Update Logo



MC-05BMMM-SL8BXX
 XX:01~99Meters
 01:01Meter
 02:02Meters
 :
 :
 99:99Meters
 Cable Length(L):01~99Meters

- Note:
- * QC Important Dimension.
 - * Waterproof Rate: IP68
 IP68: 1M Depth Of Water In 24hours
 - * Connector: Polyurethane (PU), Black
 - * Male Pin: Copper Alloy, Gold Plated
 - * Cable: (22AWG*1P+Al)+(18AWG*1P+Al)+Drain +Al.Mylar+Braid, OD=7.0mm, Black
 - * Cable Length Tolerance: 1M:±40mm
 02M~05M:±60mm
 06M~10M:±100mm
 11M~30M:±200mm
 31M~99M:±500mm



5	Blue	藍	(22AWG)	Twist
4	White	白	(22AWG)	對線
3	Black	黑	(18AWG)	Twist
2	Red	紅	(18AWG)	對線
1	Drain	地線	(22AWG)	
Conn.	Wire Color			
	Pin Out			

UNIT:mm	
TOLERANCE	±0.5 mm

TITLE	M12 Conn NMEA Cable Screw 5Pin M Conn M Pin		
SCALE	Free	SHEET	1 OF 1
REV.	D	SIZE	A4
		QC	:Inspection Item

Amphenol LTW
 安費諾亮泰企業股份有限公司

ITEM NO	DRAWN BY	DATE
DWG NO	CHECKED BY	DATE
CUSTOMER	APPROVED BY	DATE

THIS DOCUMENT IS SUBJECT TO CHANGE WITHOUT NOTICE. IT IS CONFIDENTIAL AND A PROPERTY OF Amphenol LTW. DISCLOSE TO THIRD PARTY HAS TO BE AUTHORIZED BY Amphenol LTW.

F
E
D
C
B
A

1 2 3 4 5 6 7 8