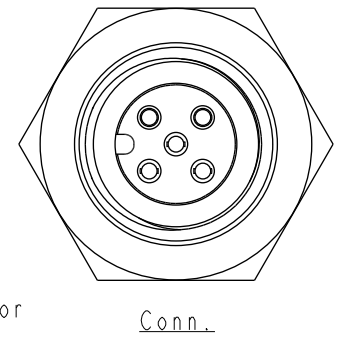
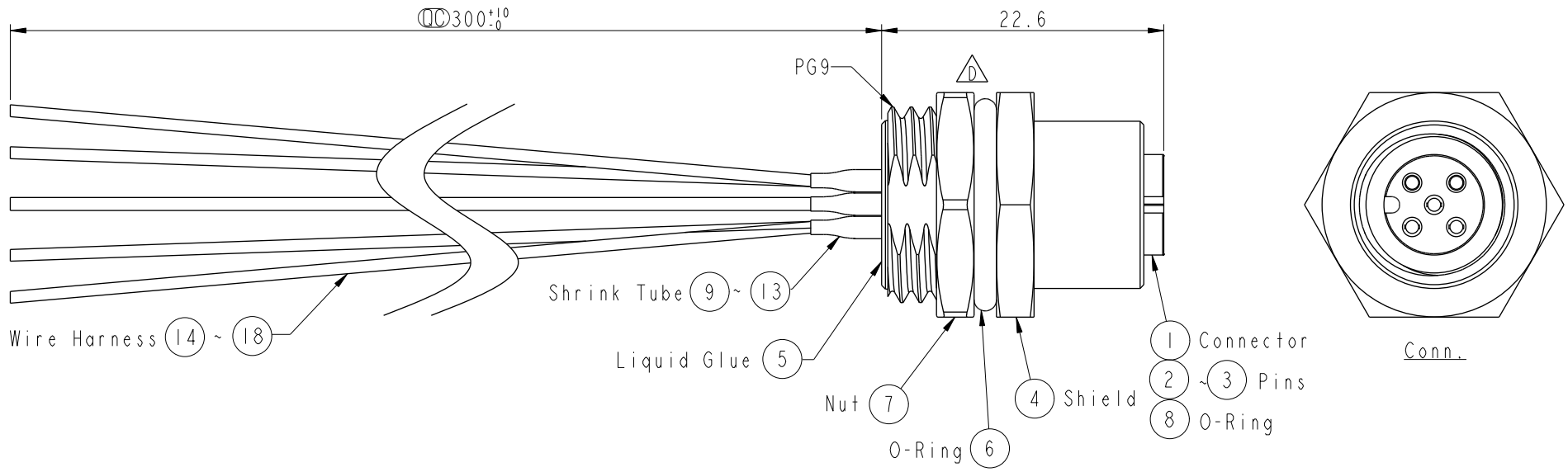
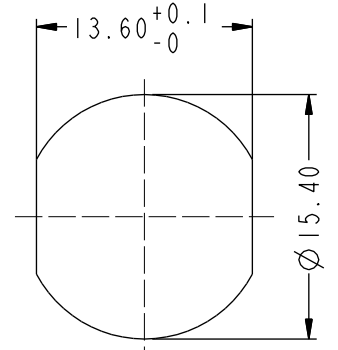
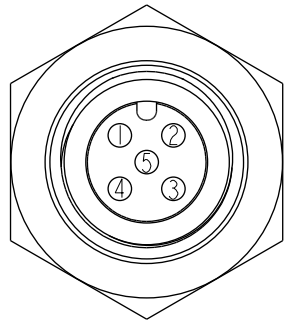


THIS DOCUMENT IS SUBJECT TO CHANGE WITHOUT NOTICE. IT IS CONFIDENTIAL AND A PROPERTY OF Amphenol LTW. DISCLOSURE TO THIRD PARTY HAS TO BE AUTHORIZED BY Amphenol LTW.

| REV. | ECN NO. | DATE | SIGN | DESCRIPTION |
|------|------------|------------|--------|--------------------------------|
| B | LEN-7A0186 | 2007/09/29 | Myrdal | Added Note |
| C | CI90517 | 2019/04/11 | Vicky | Change Note |
| D | EI92064 | 2019/12/04 | Ruru | Change Nut And O-Ring Position |



ALTW
 CONFIDENTIAL
 2019-12-04
 R&D DEPT.



| | |
|-------|---------------|
| 5 | Blue (22AWG) |
| 4 | White (22AWG) |
| 3 | Black (18AWG) |
| 2 | Red (18AWG) |
| 1 | Green (22AWG) |
| Conn. | Wire Color |
| | Pin Out |

- Δ Note:
- * CC Important Dimension.
 - * Waterproof Rate: IP68, Unmated In 1 meter water within 24 hours
 - * Connector: Thermoplastic, Black
 - * Pin: Copper Alloy, Gold Plated
 - * Shield: Metal, Nickel Plated
 - * Nut: Metal, Nickel Plated
 - * O-Ring1: Rubber, Black
 - * O-Ring2: Rubber, Green
 - * For Panel Thickness Max 4.5mm

| | | | | | | | |
|---|--|---|---------------------|-------------------------------|-----------------------------|--------------------|--------------------|
| UNIT:mm | | TITLE M12 Conn NMEA Panel Screw 5Pin F Conn F Pin | Amphenol LTW | | ITEM NO MC-05PFFS-SH8001 | DRAWN BY Vicky | DATE 2019-04-11 |
| TOLERANCE .X ±0.25 .XX ±0.1 .XXX ±0.05 ANGLES ±1° | | SCALE 2:1 | SIZE A4 | SHEET 1 OF 1 | DWG NO MC-05PFFS-SH8001 | CHECKED BY Rita | DATE 2019-04-11 |
| | | REV. D | WC-REV. A.4 | CC : Inspection item | CUSTOMER ALTW | APPROVED BY Max | DATE 2019-04-11 |

安費諾亮泰企業股份有限公司