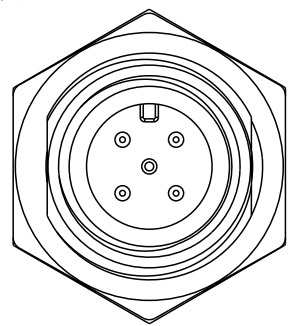
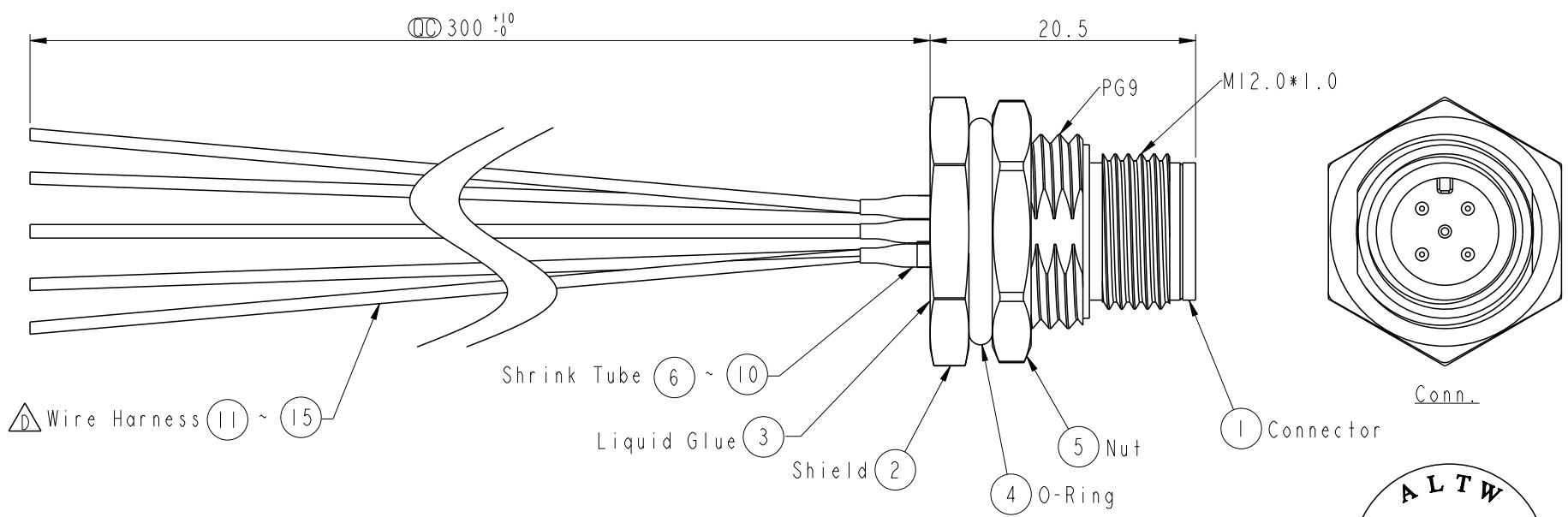
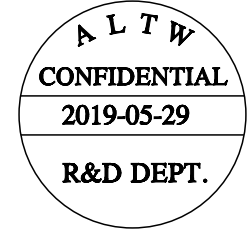


THIS DOCUMENT IS SUBJECT TO CHANGE WITHOUT NOTICE. IT IS CONFIDENTIAL AND A PROPERTY OF Amphenol LTW. DISCLOSURE TO THIRD PARTY HAS TO BE AUTHORIZED BY Amphenol LTW.

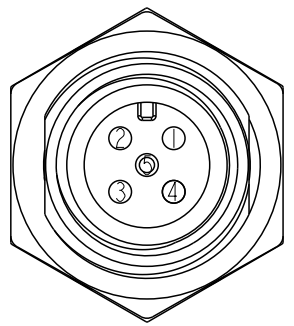
REV.	ECN NO.	DATE	SIGN	DESCRIPTION
B	LEN-7A0185	2007/09/29	Myrdal	Added Note
C	CI90517	2019/04/11	Vicky	Change Note
D	CI90844	2019/05/29	Eric	Change Mark



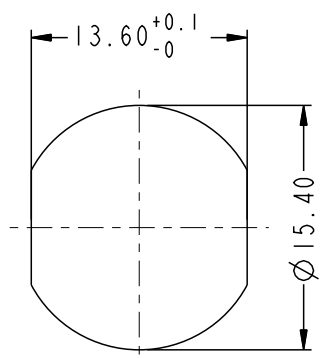
Conn.



- △ Note:
- \*  $\varnothing$  Important Dimension.
  - \* Waterproof Rate: IP68, Unmated. In 1 meter water within 24 hours
  - \* Connector: Thermoplastic, Black.
  - \* Pin: Copper Alloy, Gold Plated
  - \* Shield: Metal, Nickel Plated.
  - \* Nut: Metal, Nickel Plated.
  - \* O-Ring: Rubber, Black.
  - \* For Panel Thickness Max 4.5mm



Pin Assignments  
Front View



Recommended Panel Cut-Out

5	Blue (22AWG)	藍
4	White (22AWG)	白
3	Black (18AWG)	黑
2	Red (18AWG)	紅
1	Green (22AWG)	綠
Conn.	Wire Color	
	Pin Out	

UNIT:mm		
TOLERANCE		
.X	±0.25	
.XX	±0.1	
.XXX	±0.05	
ANGLES	±1°	

TITLE M12 Conn NMEA Panel Screw 5Pin M Conn M Pin			
SCALE 2:1	SIZE A4	SHEET 1 OF 1	
REV. D	WC-REV. A.3	$\varnothing$ : Inspection item	

**Amphenol LTW**  
安費諾亮泰企業股份有限公司

ITEM NO MC-05PMMS-SF8001	DRAWN BY Eric	DATE 2019-05-29
DWG NO MC-05PMMS-SF8001	CHECKED BY Jane	DATE 2019-05-29
CUSTOMER ALTW	APPROVED BY Neo	DATE 2019-05-29