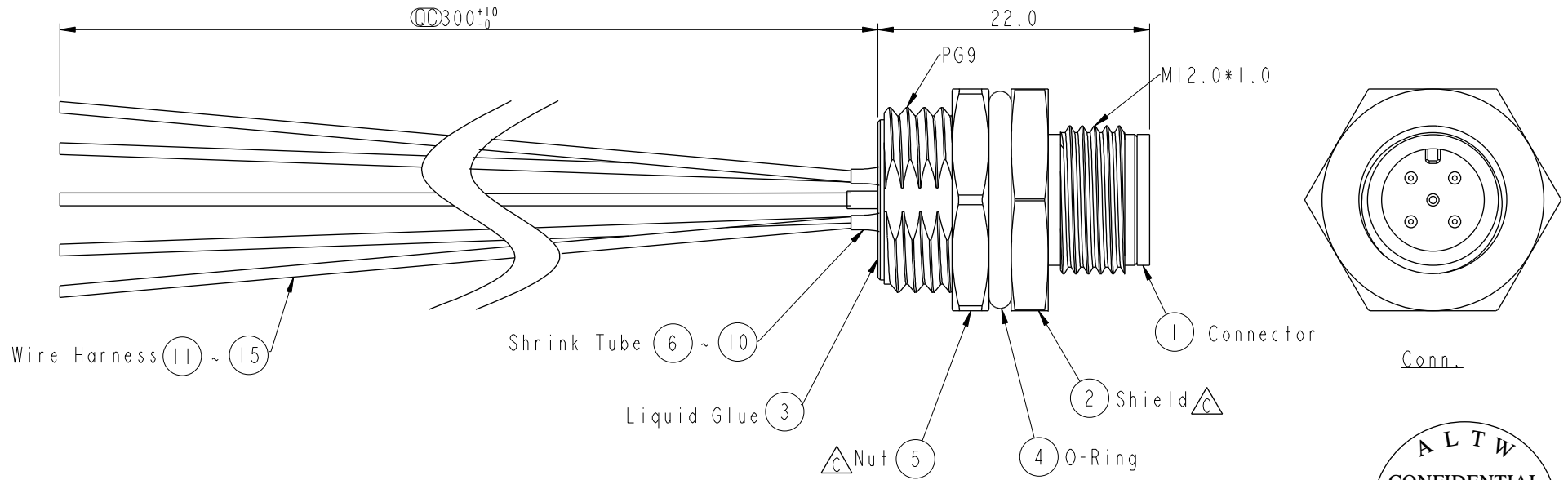
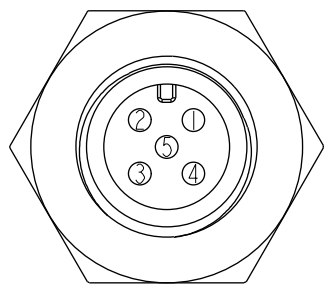


THIS DOCUMENT IS SUBJECT TO CHANGE WITHOUT NOTICE. IT IS CONFIDENTIAL AND A PROPERTY OF Amphenol LTW. DISCLOSURE TO THIRD PARTY HAS TO BE AUTHORIZED BY Amphenol LTW.

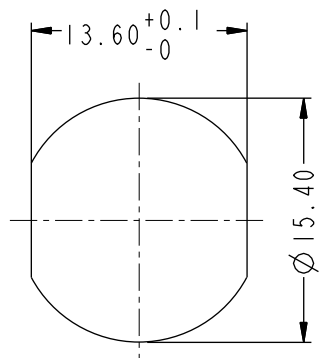
REV.	ECN NO.	DATE	SIGN	DESCRIPTION
B	LEN-7A0184	2007/09/29	Myrdal	Added Note
C	LEN-9C0099	2009/12/16	Tao-Cheng	Change The Item Number
D	CI90517	2019/04/11	Vicky	Change Note



ALTW
CONFIDENTIAL
 2019-04-11
R&D DEPT.



Pin Assignments
Front View



Recommended Panel Cut-Out

5	Blue (22AWG)	藍
4	White (22AWG)	白
3	Black (18AWG)	黑
2	Red (18AWG)	紅
1	Green (22AWG)	綠
Conn.	Wire Color	
	Pin Out	

- Note:**
- * QC Important Dimension.
 - * Waterproof Rate: IP68, Unmated. In 1 meter water within 24 hours.
 - * Connector: Thermoplastic, Black.
 - * Pin: Copper Alloy, Gold Plated.
 - * Shield: Metal, Nickel Plated.
 - * Nut: Metal, Nickel Plated.
 - * O-Ring: Rubber, Black.
 - * For Panel Thickness Max 4.5mm

UNIT:mm 	TITLE M12 Conn NMEA Panel Screw 5Pin M Conn M Pin		<h1>Amphenol LTW</h1> <h2>安費諾亮泰企業股份有限公司</h2>		ITEM NO MC-05PMMS-SH8001	DRAWN BY Vicky	DATE 2019-04-11
	TOLERANCE .X ±0.25 .XX ±0.1 .XXX ±0.05 ANGLES ±1°	SCALE 2:1	SIZE A4	SHEET 1 OF 1	DWG NO MC-05PMMS-SH8001	CHECKED BY Rita	DATE 2019-04-11
	REV. D	WC-REV. A.2	QC: Inspection item	CUSTOMER ALTW	APPROVED BY Max	DATE 2019-04-11	