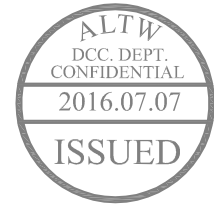
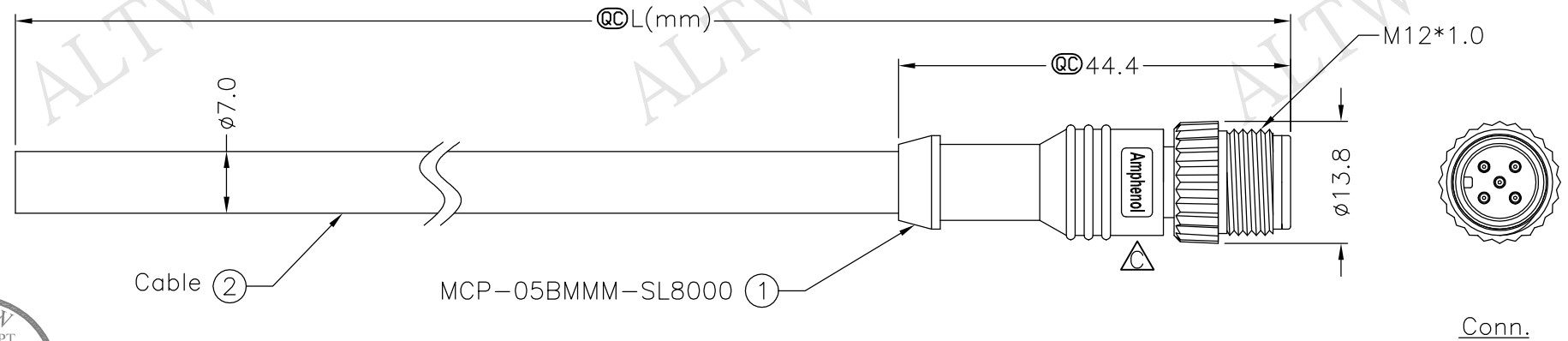
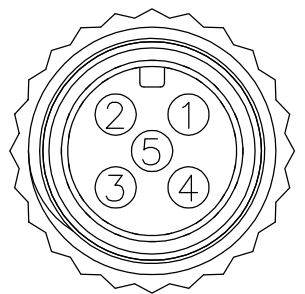


REV.	ECN NO.	DATE	SIGN	DESCRIPTION
B	LE3-030073~76	2010/02/22	Tina	Change to Conn.
C	LEN1670059~062	2016/06/30	Vicky	Update Logo



MCP-05BMMM-SL8BXX  
 XX:01~99Meters  
 01:01Meter  
 02:02Meters  
 :  
 :  
 99:99Meters  
 Cable Length(L):01~99Meters

- Note:
- \* @C Important Dimension.
  - \* Waterproof Rate: IP68  
 IP68: 1M Depth Of Water In 24hours
  - \* Connector: Polyurethane (PU), Black
  - \* Male Pin: Copper Alloy, Gold Plated
  - \* Cable: (22AWG\*1P+Al)+(18AWG\*1P+Al)  
 +Drain+Al.Mylar+Braid, OD=7.0mm
  - \* Cable Length Tolerance: 1M:±40mm  
 02M~05M:±60mm  
 06M~10M:±100mm  
 11M~30M:±200mm  
 31M~99M:±500mm



5	Blue	藍	(22AWG)	Twist 對線
4	White	白	(22AWG)	
3	Black	黑	(18AWG)	Twist 對線
2	Red	紅	(18AWG)	
1	Drain	地線	(22AWG)	
Conn.	Wire Color		Pin Out	

UNIT:mm	
TOLERANCE	±0.5 mm

TITLE	M12P Conn NMEA Cable Screw 5Pin M Conn M Pin		
SCALE	Free	SHEET	1 OF 1
REV.	C	SIZE	A4
		@C	:Inspection Item

**Amphenol LTW**  
 安費諾亮泰企業股份有限公司

ITEM NO	DRAWN BY	DATE
DWG NO	CHECKED BY	DATE
CUSTOMER	APPROVED BY	DATE

THIS DOCUMENT IS SUBJECT TO CHANGE WITHOUT NOTICE. IT IS CONFIDENTIAL AND A PROPERTY OF Amphenol LTW. DISCLOSURE TO THIRD PARTY HAS TO BE AUTHORIZED BY Amphenol LTW.