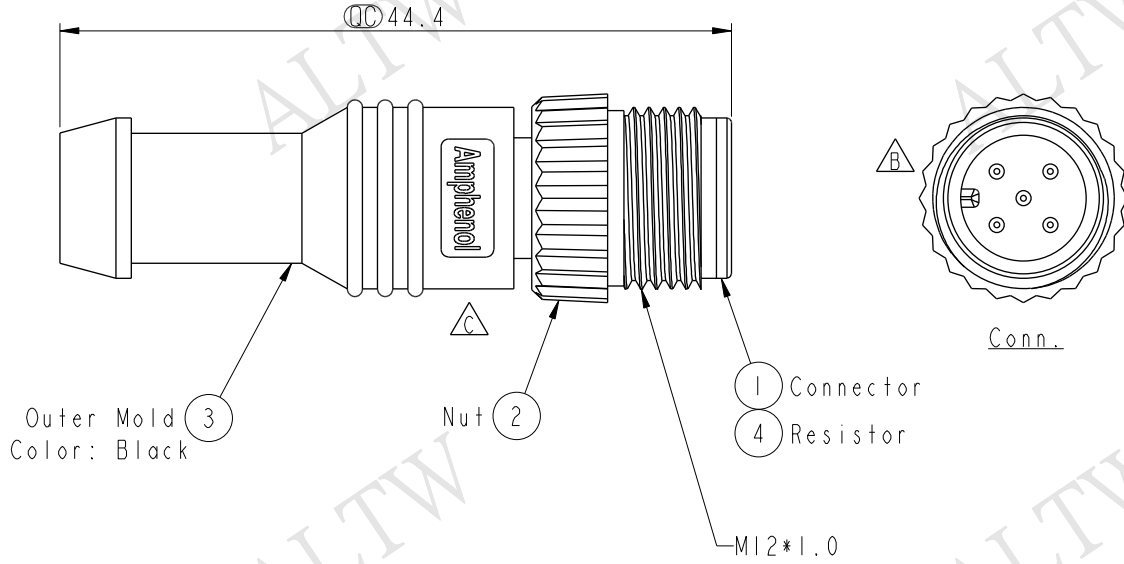
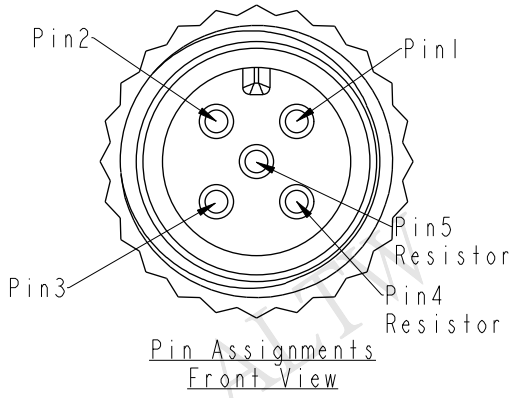


REV.	ECN NO.	DATE	SIGN	DESCRIPTION
B	LEN-840054	2008/04/10	Zhang Jin	Change Key Direction
C	LEN1670063	2016/06/30	Vicky	Update Logo

ALTW
CONFIDENTIAL
2016-06-30
R&D DEPT.



ALTW
DCC. DEPT.
CONFIDENTIAL
2016.07.07
ISSUED



Resistor	5	
	4	
N/A	3	
N/A	2	
N/A	1	
Wire Color	Conn.	
	Pin Out	

- Note:
- * \varnothing Important Dimension.
 - * Waterproof Rate: IP68
IP68: 1M Depth Of Water In 24hours
 - * Connector: PU, Black
 - * Male Pin: Copper Alloy, Gold Plated
 - * Resistor: 1/4, 120 Ω , 5% Resistance, Molded Inside The Connector.

A	UNIT:mm		TITLE		ITEM NO	DRAWN BY	DATE
	TOLERANCE	± 0.5 mm	M12 Male Conn. Male Pin, No Cable, With Resistor		MCP-05BMMT-SL8001	Vicky	2016-06-30
	SCALE	2:1	SIZE	A4	DWG NO	CHECKED BY	DATE
	REV.	C	WC-REV.	A.4	MCP-05BMMT-SL8001	Rita	2016-06-30
				\varnothing : Inspection item	CUSTOMER	APPROVED BY	DATE
					ALTW	Lisa	2016-06-30
							8 FMM10702-01-02A1

Amphenol LTW
安費諾亮泰企業股份有限公司

THIS DOCUMENT IS SUBJECT TO CHANGE WITHOUT NOTICE. IT IS CONFIDENTIAL AND A PROPERTY OF Amphenol LTW. DISCLOSURE TO THIRD PARTY HAS TO BE AUTHORIZED BY Amphenol LTW.