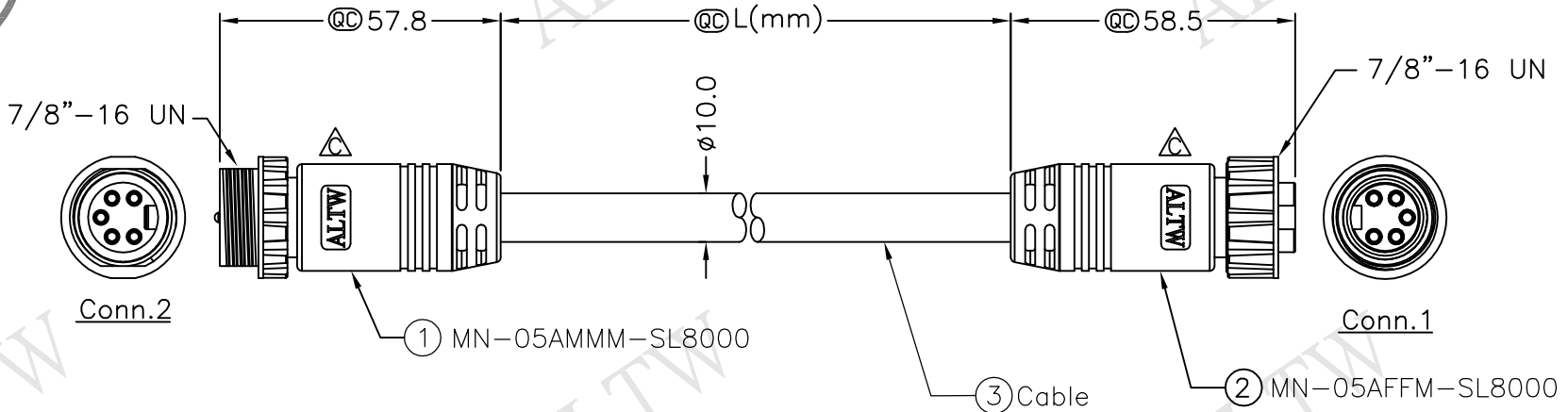
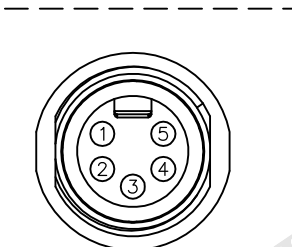


REV.	ECN NO.	DATE	SIGN	DESCRIPTION
B	LEN1370145~152	2013/06/27	Ruru	Modify Note.
C	LEN1670636~644	2016/07/13	Vicky	Update Logo

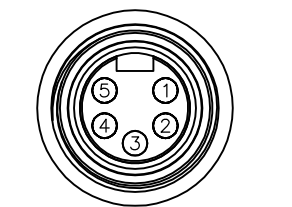


MN-000505-OMF-CSCXX
 XX:01~99Meters
 01:01Meter
 02:02Meters
 :
 :
 99:99Meters
 Cable Length(L):01~99Meters

- Note:
- * @C Important Dimension
 - * Waterproof Rate: IP68
In 1 meter water within 24 hours
 - * Connector: PU, Black
 - * Nut: Zinc Alloy, Nickel Plated
 - * Male Pin: Copper Alloy, Gold Plated
 - * Female Pin: Copper Alloy, Gold Plated
 - * Cable: (18#+1P+AC)+(16#+1P+AC)
+Drain+AL.Mylar+Braid OD=10.0mm
 - * Cable Length Tolerance: 01M:±40mm
02M~05M:±60mm
06M~10M:±100mm
11M~30M:±200mm
31M~99M:±500mm



Conn.2
Pin Assignments
Front View



Conn.1
Pin Assignments
Front View

5	Blue	18AWG	藍	5
4	White	18AWG	白	4
3	Black	16AWG	黑	3
2	Red	16AWG	紅	2
1	Drain		地線	1
Conn2	Wire Color			Conn1

Pin Out

UNIT:mm	
TOLERANCE	±0.5 mm

TITLE NMEA Mini F Conn F Pin With Cable	
SCALE Free	SHEET 1 OF 1
REV. C	SIZE A4
@C :Inspection Item	

Amphenol LTW
 安費諾亮泰企業股份有限公司

ITEM NO	
DWG NO	MN-000505-OMF-CSCXX
CUSTOMER	ALTW

DRAWN BY Vicky	DATE 2016/07/13
CHECKED BY Rita	DATE 2016/07/13
APPROVED BY Lisa	DATE 2016/07/13

THIS DOCUMENT IS SUBJECT TO CHANGE WITHOUT NOTICE. IT IS CONFIDENTIAL AND A PROPERTY OF Amphenol LTW. DISCLOSE TO THIRD PARTY HAS TO BE AUTHORIZED BY Amphenol LTW.