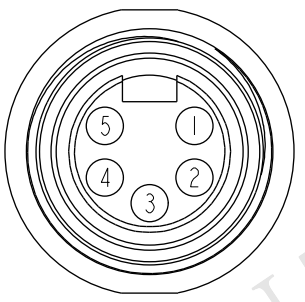
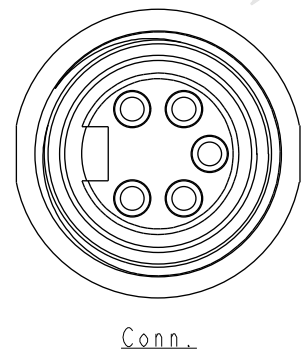
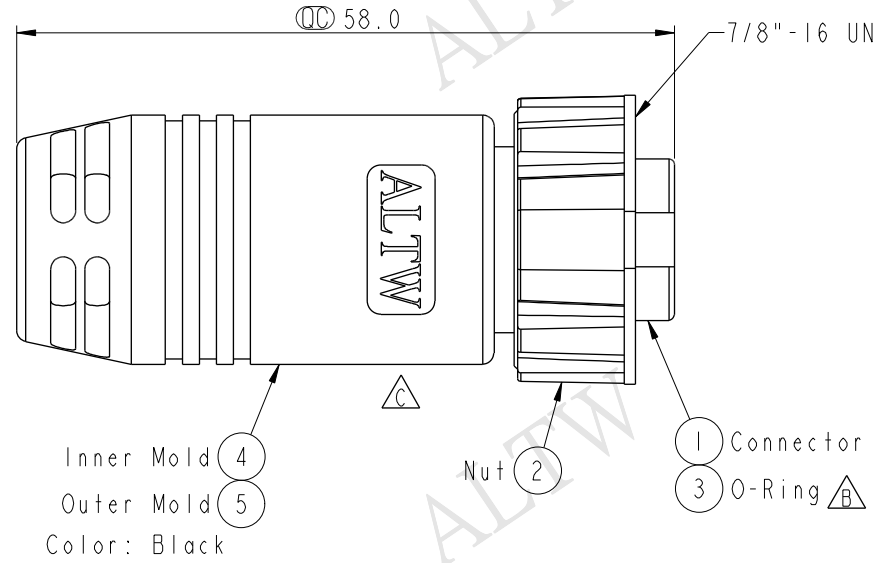
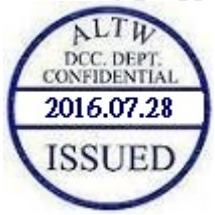
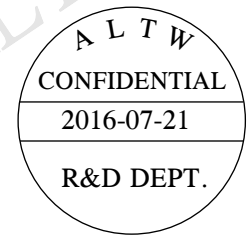


REV.	ECN NO.	DATE	SIGN	DESCRIPTION
B	LEN-820058	2008/02/27	Shin	Change Name PIN Become to O-Ring, Add Note
C	LEN1670634	2016/07/21	Vicky	Update Logo



Pin Assignments  
Front View

Conn.	Function
5	Resistor
4	Resistor
3	NC
2	NC
1	NC



- Note:
- \*  $\varnothing$  Important Dimension.
  - \* Waterproof Rate: IP68  
In 1 meter water within 24 hours
  - \* Connector: PU, Black
  - \* Nut: Zinc Alloy, Nickel Plated
  - \* Female Pin: Copper Alloy, Gold Plated
  - \* Resistor: 1/4W, 120 $\Omega$   $\pm$ 1%

UNIT:mm TOLERANCE $\pm 0.5$ mm	TITLE NMEA Mini F Conn F Pin Resistor		Amphenol LTW 安費諾亮泰企業股份有限公司	ITEM NO MN-05AFFT-SL8001	DRAWN BY Vicky	DATE 2016-07-21		
	SCALE 3:2	SIZE A4		SHEET 1	OF 1	DWG NO MN-05AFFT-SL8001	CHECKED BY Rita	DATE 2016-07-21
	REV. C	WC-REV. A.1		$\varnothing$ : Inspection item		CUSTOMER ALTW	APPROVED BY Max	DATE 2016-07-21

THIS DOCUMENT IS SUBJECT TO CHANGE WITHOUT NOTICE. IT IS CONFIDENTIAL AND A PROPERTY OF Amphenol LTW. DISCLOSURE TO THIRD PARTY HAS TO BE AUTHORIZED BY Amphenol LTW.