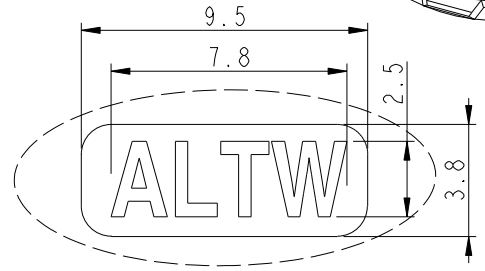
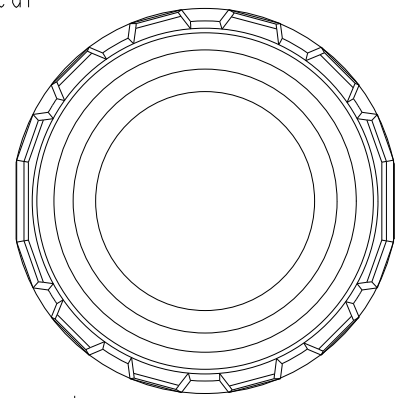
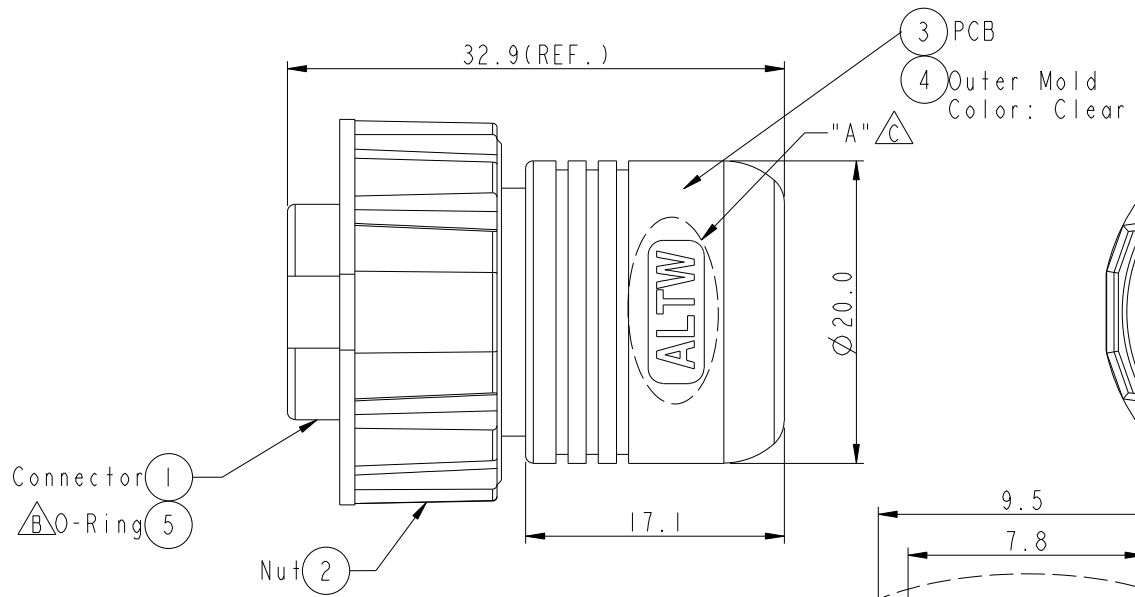
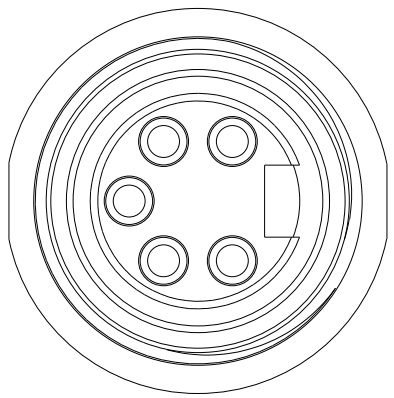


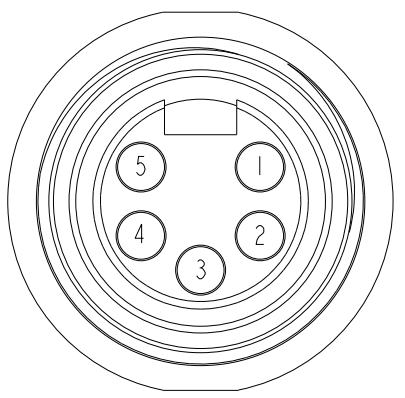
REV.	ECN NO.	DATE	SIGN	DESCRIPTION
B	LEN-880467	2008/8/22	Doreen	Add item
C	C221277	2022/08/17	Na Liu	△C XI

THIS DOCUMENT IS SUBJECT TO CHANGE WITHOUT NOTICE. IT IS CONFIDENTIAL AND A PROPERTY OF Amphenol LTW. DISCLOSURE TO THIRD PARTY HAS TO BE AUTHORIZED BY Amphenol LTW.

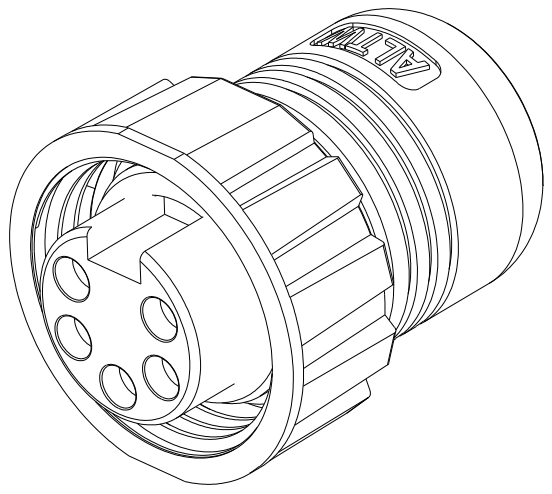
F
E
D
C
B
A



Detail A
Scale 4:1



Conn.
Pin Assignments
Front View



- Note:
- * (Circled) Important Dimension.
 - * Waterproof Rate: IP68
 - * Connector: Black, PU
 - * Pin: Copper Alloy, Gold Plated
 - * Resistor: 1/4W, 120ohm±5% Resistance, Molded Inside The Connector.
 - * Nut: Zinc, Nickel Plated
 - * Text Depth : 0.3mm

UNIT:mm		
TOLERANCE		
.X	±0.25	
.XX	±0.1	
.XXX	±0.05	
ANGLES	±1°	

TITLE Mini Conn NMEA WaterProof Resistor with LED			
SCALE 2:1	SIZE A4	SHEET 1 OF 1	
REV. C	WC-REV. A.2	(Circled) Inspection item	

Amphenol LTW
安費諾亮泰企業股份有限公司

ITEM NO. MNL-05BFFT-SL8001	DRAWN BY DEL_SamChang	DATE 2012-08-30
DWG NO. MNL-05BFFT-SL8001	CHECKED BY Jeffrey	DATE 2013-12-25
CUSTOMER ALTW	APPROVED BY Rita	DATE 2013-12-25

DATE 2012-08-30	DATE 2013-12-25	DATE 2013-12-25
--------------------	--------------------	--------------------