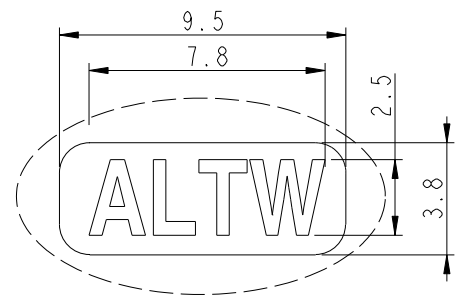
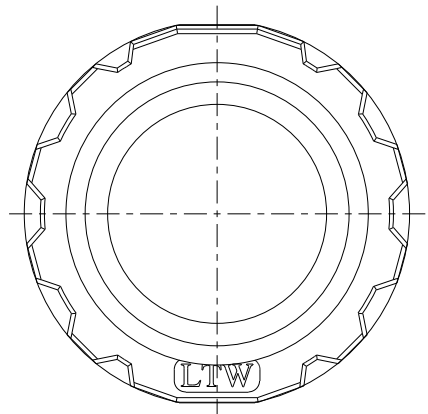
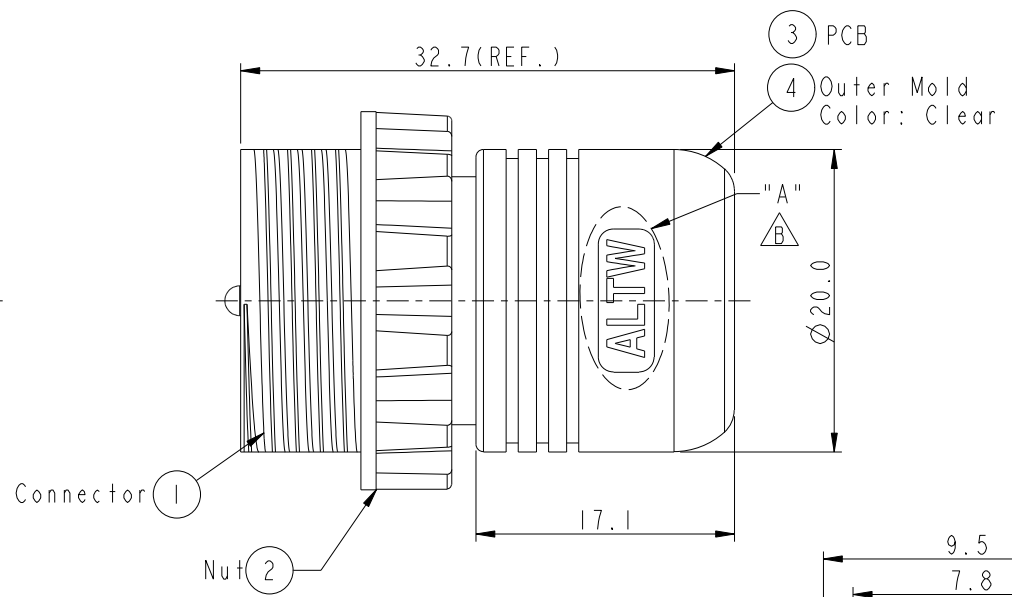
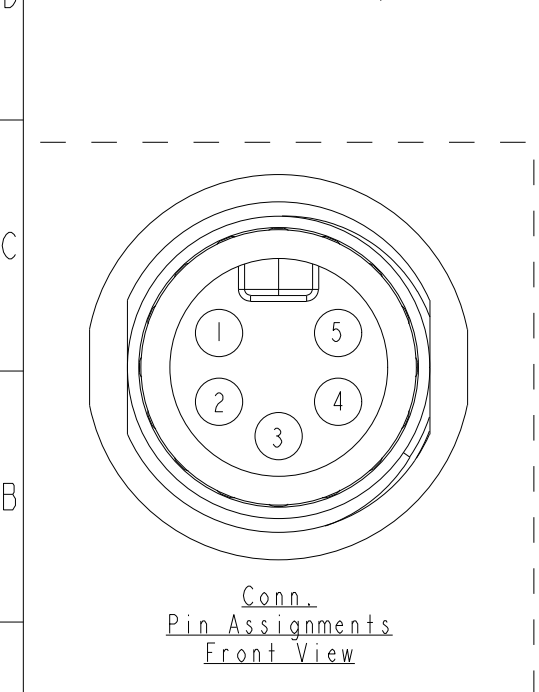
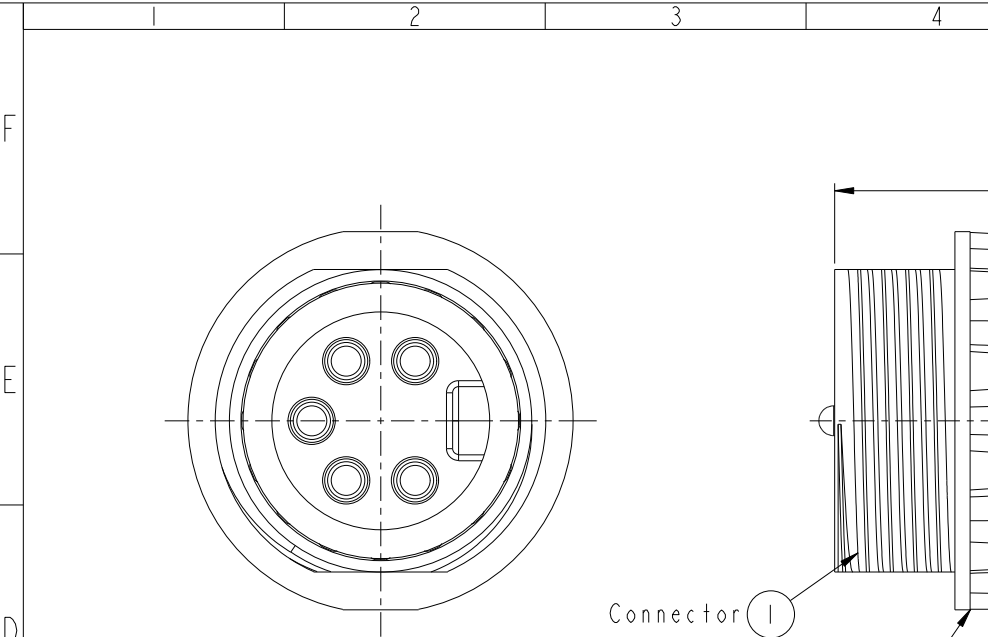


THIS DOCUMENT IS SUBJECT TO CHANGE WITHOUT NOTICE. IT IS CONFIDENTIAL AND A PROPERTY OF Amphenol LTW. DISCLOSURE TO THIRD PARTY HAS TO BE AUTHORIZED BY Amphenol LTW.

REV.	ECN NO.	DATE	SIGN	DESCRIPTION
B	C221277	2022/08/17	Na Liu	△BXI



Detail A
Scale 4:1

- Note:
- * \varnothing Important Dimension.
 - * Waterproof Rate: IP68
 - * Connector: Black, PU
 - * Pin: Copper Alloy, Gold Plated
 - * Resistor: 1/4W, 120ohm \pm 5% Resistance, Molded Inside The Connector.
 - * Nut: Zinc, Nickel Plated
 - * Text Depth : 0.3mm

UNIT:mm			TITLE
TOLERANCE	.X ± 0.25	.XX ± 0.1	Mini Conn NMEA WaterProof Resistor with LED
.XXX ± 0.05	ANGLES $\pm 1^\circ$	SCALE	SIZE
		2:1	A4
		REV.	SHEET
		B	1 OF 1
		WC-REV.	OF
		A.1	1
		\varnothing : Inspection item	

Amphenol LTW
安費諾亮泰企業股份有限公司

ITEM NO.	DRAWN BY	DATE
MNL-05BMMT-SL8001	DEL_SamChang	2013-07-09
DWG NO.	CHECKED BY	DATE
MNL-05BMMT-SL8001	Jeffrey	2013-12-25
CUSTOMER	APPROVED BY	DATE
ALTW	Rita	2013-12-25