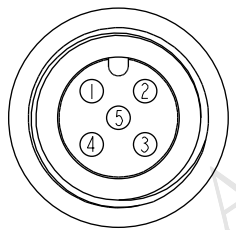
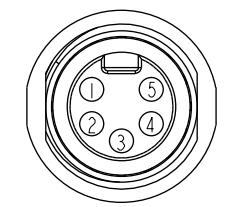


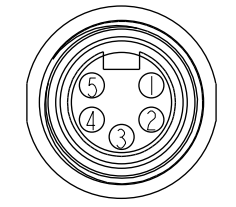
REV.	ECN NO.	DATE	SIGN	DESCRIPTION
C	LEN-910001	2008/12/04	Prune	Change 50.9 To 52.9
D	LEN1510571	2015/01/15	Sam	Update Logo&Drawing.
E	LEN16C0018	2016/12/05	Ruru	Modify Note



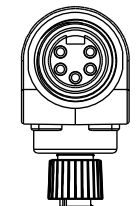
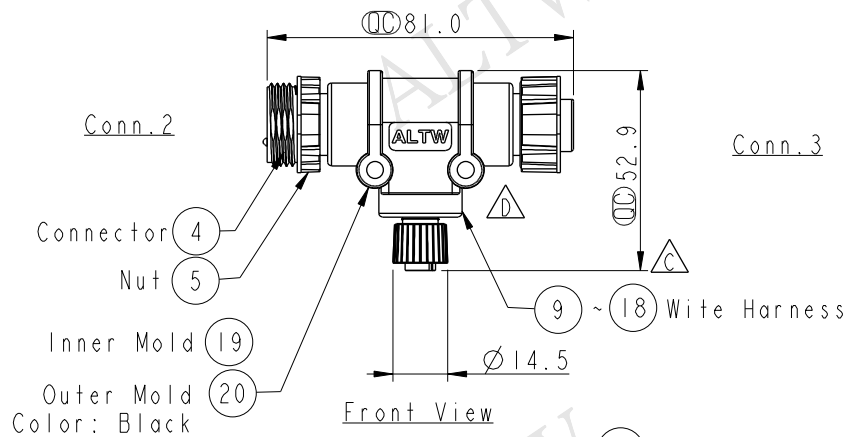
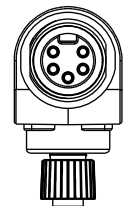
Conn. 1
Pin Assignments
Front View



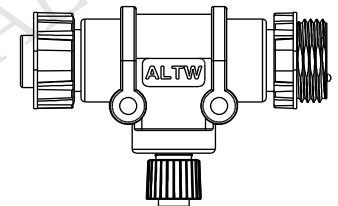
Conn. 2
Pin Assignments
Front View



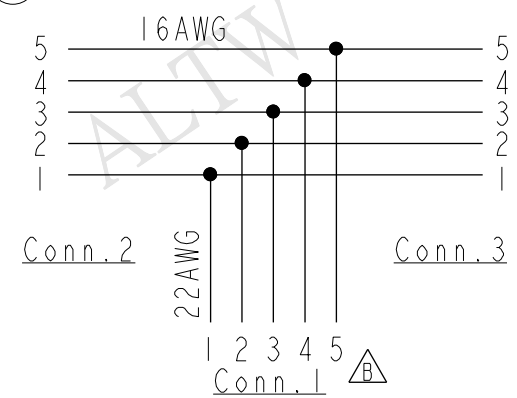
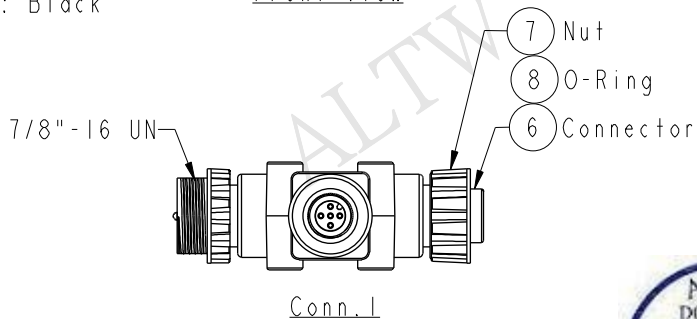
Conn. 3
Pin Assignments
Front View



1 Connector
2 O-ring
3 Nut
Back View



ALTW
CONFIDENTIAL
2016-12-05
R&D DEPT.



Wire Color	Conn. 3	Conn. 2	Wire Color	Conn. 1
Blue (16AWG)藍	5	5	Blue (22AWG)藍	5
White (16AWG)白	4	4	White (22AWG)白	4
Black (16AWG)黑	3	3	Black (22AWG)黑	3
Red (16AWG)紅	2	2	Red (22AWG)紅	2
Green (16AWG)綠	1	1	Green (22AWG)綠	1
Wire Color	Conn. 3	Conn. 2	Wire Color	Conn. 1

Pin Out

ALTW
DCC. DEPT.
CONFIDENTIAL
2016.12.07
ISSUED

- Note:
- * \varnothing Important Dimension.
 - * Waterproof Rate: IP67.
 - * Connector: PU, Black.
 - * Pin: Copper Alloy, Gold Plated.
 - * O-Ring: Viton, Green.
 - * Nut: Zinc, Nickel Plated.
 - * Wire Harness: UL1007 16AWG & UL1007 22AWG

UNIT:mm

TOLERANCE ± 0.5 mm

TITLE Mini- Micro T Adaptor Screw FMF Conn FMF Pin

SCALE 1:2 SIZE A4 SHEET 1 OF 1

REV. E WC-REV. A.3 \varnothing : Inspection item

Amphenol LTW
安費諾亮泰企業股份有限公司

ITEM NO.	DRAWN BY	DATE
NC-050505-FMF-TS001	Ruru	2016-12-05
DWG NO.	CHECKED BY	DATE
NC-050505-FMF-TS001	Rita	2016-12-05
CUSTOMER	APPROVED BY	DATE
ALTW	Max	2016-12-05

THIS DOCUMENT IS SUBJECT TO CHANGE WITHOUT NOTICE. IT IS CONFIDENTIAL AND A PROPERTY OF Amphenol LTW. DISCLOSURE TO THIRD PARTY HAS TO BE AUTHORIZED BY Amphenol LTW.