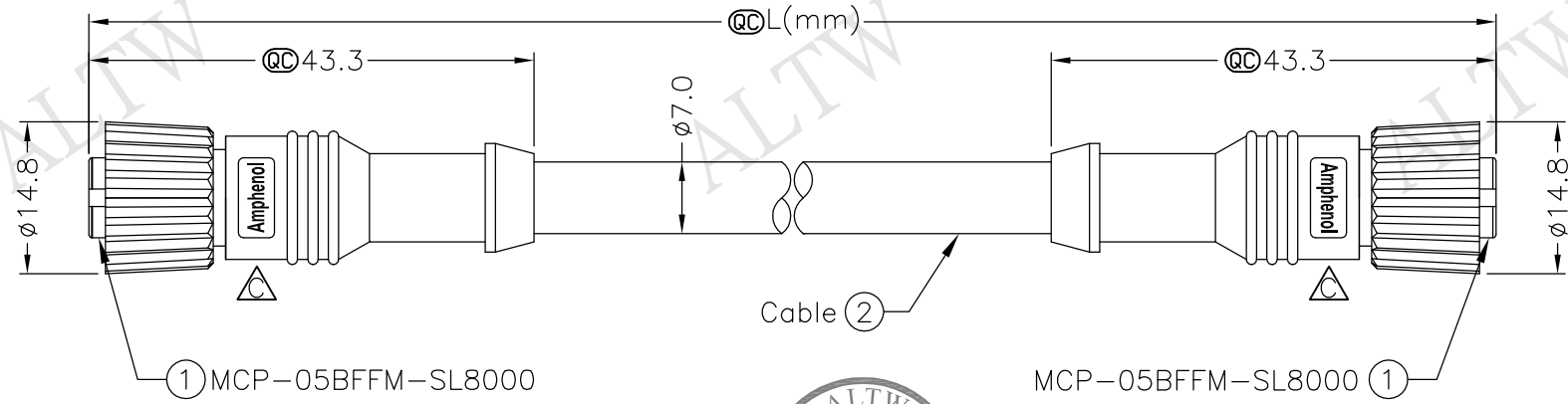
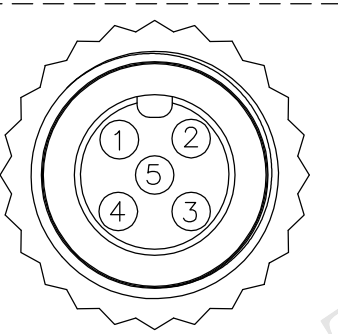


| | | | | |
|------|----------------|------------|-------|----------------------|
| REV. | ECN NO. | DATE | SIGN | DESCRIPTION |
| B | LE3-030077~80 | 2010/03/04 | Tina | Change Conn.1&Conn.2 |
| C | LEN1670071~074 | 2016/06/30 | Vicky | Update Logo |



PC-000505-0FF-CSBXX
 XX:01~99Meters
 01:01Meter
 02:02Meters
 :
 :
 99:99Meters
 Cable Length(L):01~99Meters



Pin Assignments
Front View

| | | | | |
|---------|------------|---------|--------|-------|
| 5 | Blue 藍 | (22AWG) | 5 | Twist |
| 4 | White 白 | (22AWG) | 4 | |
| 3 | Black 黑 | (18AWG) | 3 | Twist |
| 2 | Red 紅 | (18AWG) | 2 | |
| 1 | Drain 地線 | (22AWG) | 1 | |
| Conn.1 | Wire Color | | Conn.2 | |
| Pin Out | | | | |

- Note:
- * @C Important Dimension.
 - * Waterproof Rate: IP68
 - * Connector: Polyurethane (PU), Black
 - * Female Pin: Copper Alloy, Gold Plated
 - * Cable: Black, (22#*1P+A)+(18#*1P+A)+Drain+AL.Mylar+Braid PVC UV Cable OD=7.0mm
 - * Cable Length Tolerance: 1M:±40mm
 02M~05M:±60mm
 06M~10M:±100mm
 11M~30M:±200mm
 31M~99M:±500mm

| | | | | | | | |
|----------------------|---------------|---|--------------------------------------|-------------------------------|---------------------|--------------------|--------------------|
| UNIT:mm | | TITLE M12P Conn NMEA I Adapt Screw FF Conn FF Pin | Amphenol LTW 安費諾亮泰企業股份有限公司 | | ITEM NO | DRAWN BY Vicky | DATE 2016/06/30 |
| TOLERANCE ±0.5 mm | SCALE Free | SHEET 1 OF 1 | | DWG NO PC-000505-0FF-CSBXX | CHECKED BY Rita | DATE 2016/06/30 | |
| REV. C | SIZE A4 | @C :Inspection Item | | CUSTOMER ALTW | APPROVED BY Lisa | DATE 2016/06/30 | |

THIS DOCUMENT IS SUBJECT TO CHANGE WITHOUT NOTICE. IT IS CONFIDENTIAL AND A PROPERTY OF Amphenol LTW. DISCLOSURE TO THIRD PARTY HAS TO BE AUTHORIZED BY Amphenol LTW.