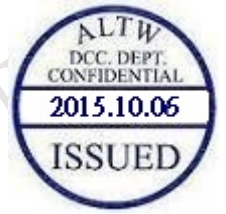
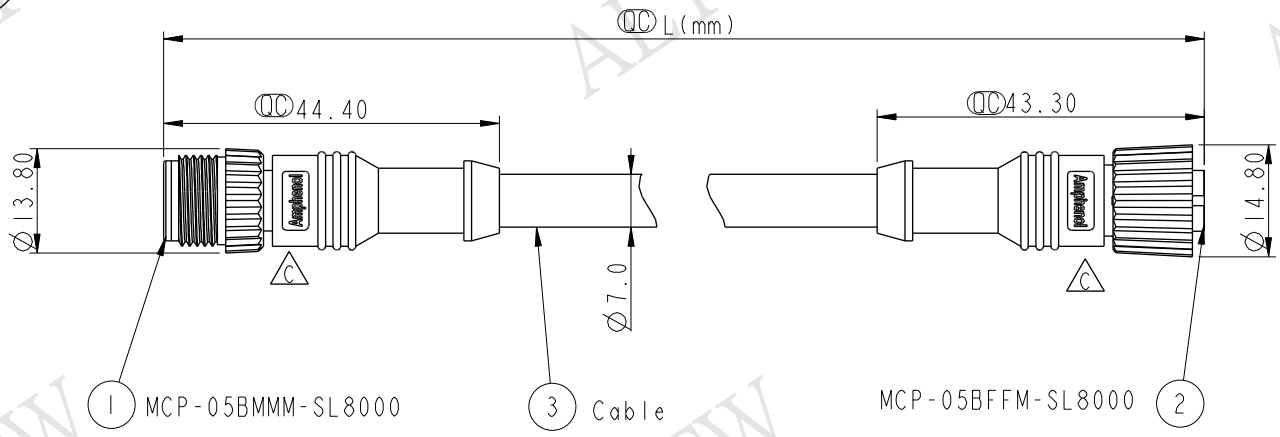
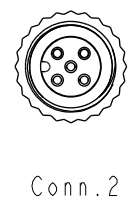
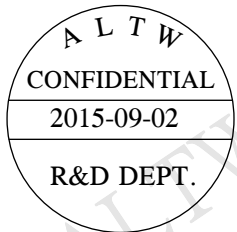


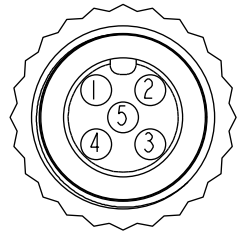
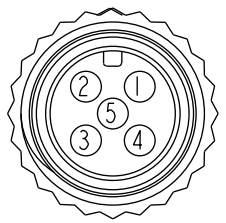
THIS DOCUMENT IS SUBJECT TO CHANGE WITHOUT NOTICE. IT IS CONFIDENTIAL AND A PROPERTY OF Amphenol LTW. DISCLOSURE TO THIRD PARTY HAS TO BE AUTHORIZED BY Amphenol LTW.

REV.	ECN NO.	DATE	SIGN	DESCRIPTION
B	LE3-030081~88	2010/03/04	Tina	Change Conn.1&Conn.2
C		2015/09/02	Howard	Change Logo



PC-000505-0MF-CSBXX
 XX:01~99Meter
 01:01Meter
 02:02Meter
 ...
 99:99Meter
 Cable Length(L):01~99Meters

Note:
 * \varnothing Important Dimension.
 * Waterproof Rate: IP68 (水深 1M, 24H)
 * Connector L PU, Black
 * Pin: Copper Alloy, Gold Plated
 * Nut: Nylon+GF, Black
 * Cable: Black, (22#*1P+A)+(18#*1P+A)+Drain+AL.Mylar+Braid PVC UV Cable OD=7.0mm
 * Cable Length Tolerance: 1M:±40mm
 02M~05M:±60mm
 06M~10M:±100mm
 11M~30M:±200mm
 31M~99M:±500mm



Conn. 1
Pin Assignments
Front View

Conn. 2
Pin Assignments
Front View

5	Blue 藍	(22AWG)	5	Twist
4	White 白	(22AWG)	4	
3	Black 黑	(18AWG)	3	Twist
2	Red 紅	(18AWG)	2	
1	Drain 地線	(22AWG)	1	
Conn.1	Wire Color		Conn.2	
Pin Out				

UNIT:mm	
TOLERANCE	±0.5

TITLE M12P Conn NMEA 1 Adapt Screw MF Conn MF Pin		
SCALE 1:2	SIZE A4	SHEET 1 OF 1
REV. C	WC-REV.	\varnothing : Inspection item

Amphenol LTW
 安費諾亮泰企業股份有限公司

ITEM NO.	DRAWN BY	DATE
DWG NO. PC-000505-0MF-CSBXX	Howard	2015/09/02
CUSTOMER ALTW	CHECKED BY Nick	DATE 2015/09/02
	APPROVED BY Lion	DATE 2015/09/02