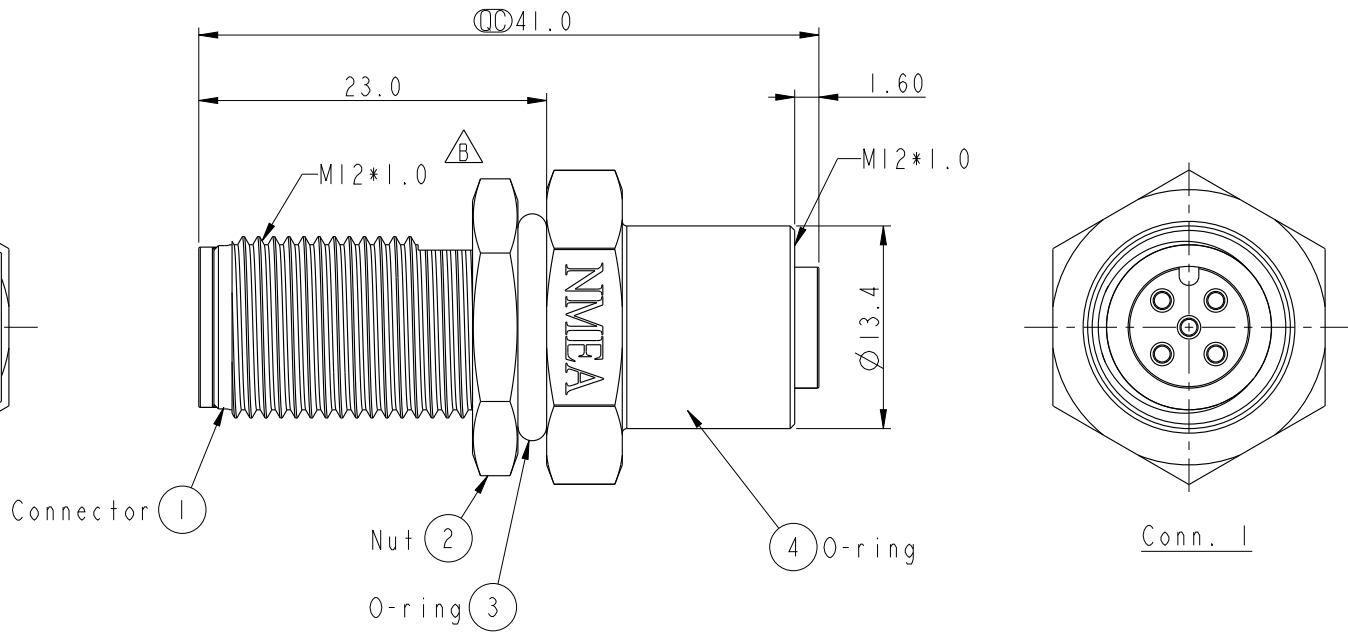
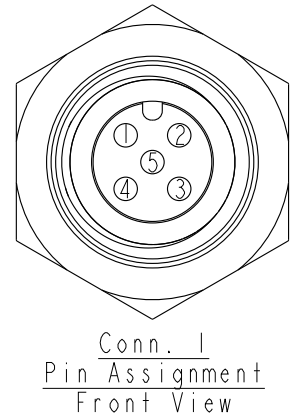
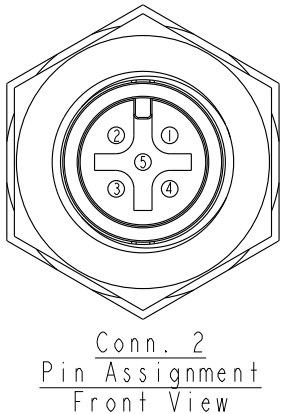
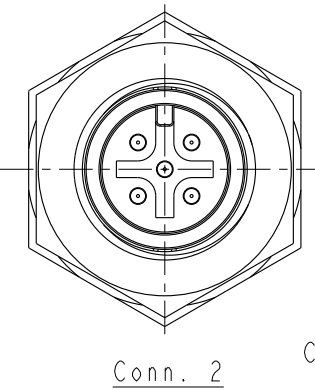
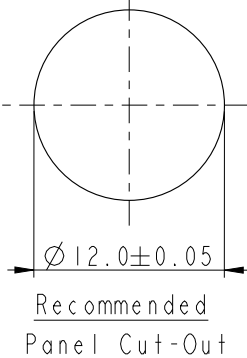


REV.	ECN NO.	DATE	SIGN	DESCRIPTION
B	C191202	2019-07-16	Peng	Change The View

**ALTW**  
**CONFIDENTIAL**  
2019-07-16  
**R&D DEPT.**



- Note:
- \* Ⓞ Important Dimension.
  - \* Waterproof Rate: IP68
  - \* Conn.1&2: Nylon+GF, Black
  - \* Pin: Copper Alloy, Gold Plated
  - \* Shield: Brass, Nickel Plated
  - \* Nut: Brass, Nickel Plated
  - \* Liquid Glue: Clear
  - \* O-Ring: Silicone, Gray

UNIT:mm

TOLERANCE	
.X	±0.25
.XX	±0.1
.XXX	±0.05
ANGLES	±1°

TITLE M12 Conn NMEA Bulkhead Screw MF Conn MF Pin			
SCALE 2:1	SIZE A4	SHEET 1 OF 1	
REV. B	WC-REV. A.1	Ⓞ: Inspection item	

**Amphenol LTW**  
安費諾亮泰企業股份有限公司

ITEM NO UMC-000505-0FM-BS001	DRAWN BY Peng	DATE 2019-07-16
DWG NO UMC-000505-0FM-BS001	CHECKED BY Feng_Li	DATE 2019-07-16
CUSTOMER ALTW	APPROVED BY Jerry	DATE 2019-07-16

THIS DOCUMENT IS SUBJECT TO CHANGE WITHOUT NOTICE. IT IS CONFIDENTIAL AND A PROPERTY OF Amphenol LTW. DISCLOSURE TO THIRD PARTY HAS TO BE AUTHORIZED BY Amphenol LTW.