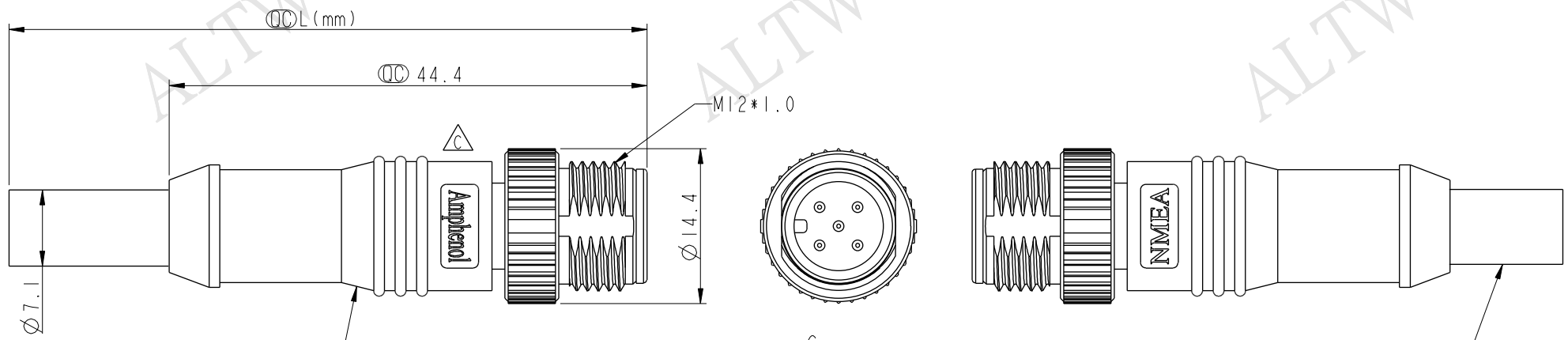


THIS DOCUMENT IS SUBJECT TO CHANGE WITHOUT NOTICE. IT IS CONFIDENTIAL AND A PROPERTY OF Amphenol LTW. DISCLOSURE TO THIRD PARTY HAS TO BE AUTHORIZED BY Amphenol LTW.

REV.	ECN NO.	DATE	SIGN	DESCRIPTION
A	Initial Release	2009/04/15	Doreen	Change REV.01 to REV.A
B	LEN1270113-117	2012/07/16	Jason Jiang	Change Cable Color To Gray
C	LEN15C0339-343	2015/12/09	Ruru	Change Logo LTW To Amphenol

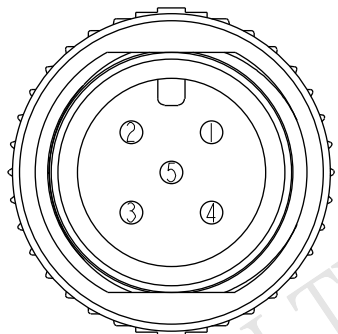
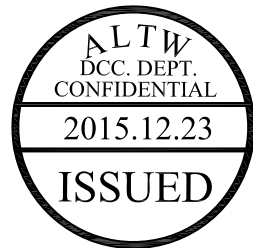


UMC-05BMMM-SL8000
Color: Black

UMC-05BMMM-SL8AXX

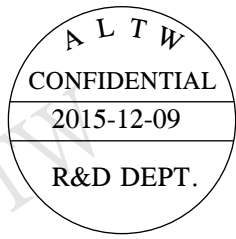
- XX : 01~99Meters
- 01 : 01Meter
- 02 : 02Meters
- ...
- 99 : 99Meters

Cable Length(L): 01~99Meters



Pin Assignments
Front View

5	Blue	藍(24AWG)	Twist 對線
4	White	白(24AWG)	
3	Black	黑(24AWG)	Twist 對線
2	Red	紅(24AWG)	
1	Drain	地線(24AWG)	
Conn.	Wire Color		
	Pin Out		



Note:

- * \varnothing Important Dimension.
- * Waterproof Rate: IP68
- * Connector: PU, Black
- * Male Pin: Copper Alloy, Gold Plated
- * Cable: (24#*IP+A)+(22#*IP+A)+D+AL/My+Braid
PVC UV Cable, OD=7.1mm, Gray
- * Cable Length Tolerance:
 - 01M: ±40mm
 - 02M~05M: ±60mm
 - 06M~10M: ±100mm
 - 11M~30M: ±200mm
 - 31M~99M: ±500mm

UNIT:mm TOLERANCE ±0.5mm	TITLE M12 Male Conn. Male Pin,			Amphenol LTW 安費諾亮泰企業股份有限公司	ITEM NO	DRAWN BY Ruru	DATE 2015-12-09
	SCALE 2:1	SIZE A4	SHEET 1 OF 1		DWG NO UMC-05BMMM-SL8AXX	CHECKED BY Rita	DATE 2015-12-09
	REV. C	WC-REV. A.1	\varnothing : Inspection item		CUSTOMER ALTW	APPROVED BY Lisa	DATE 2015-12-09