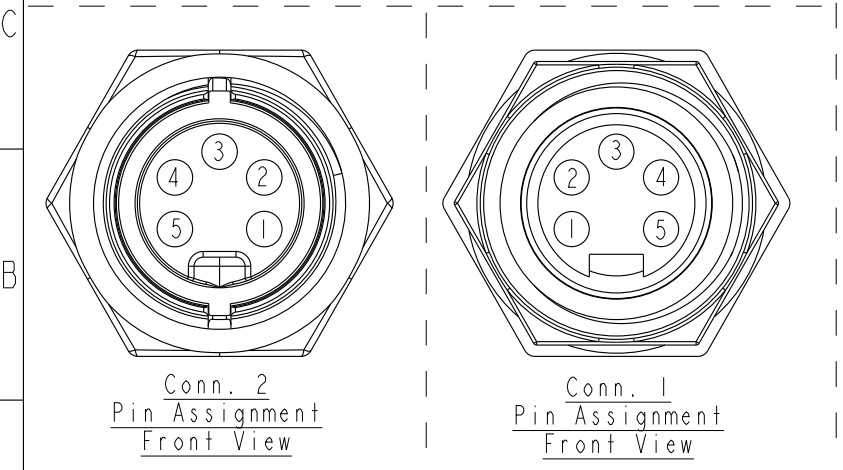
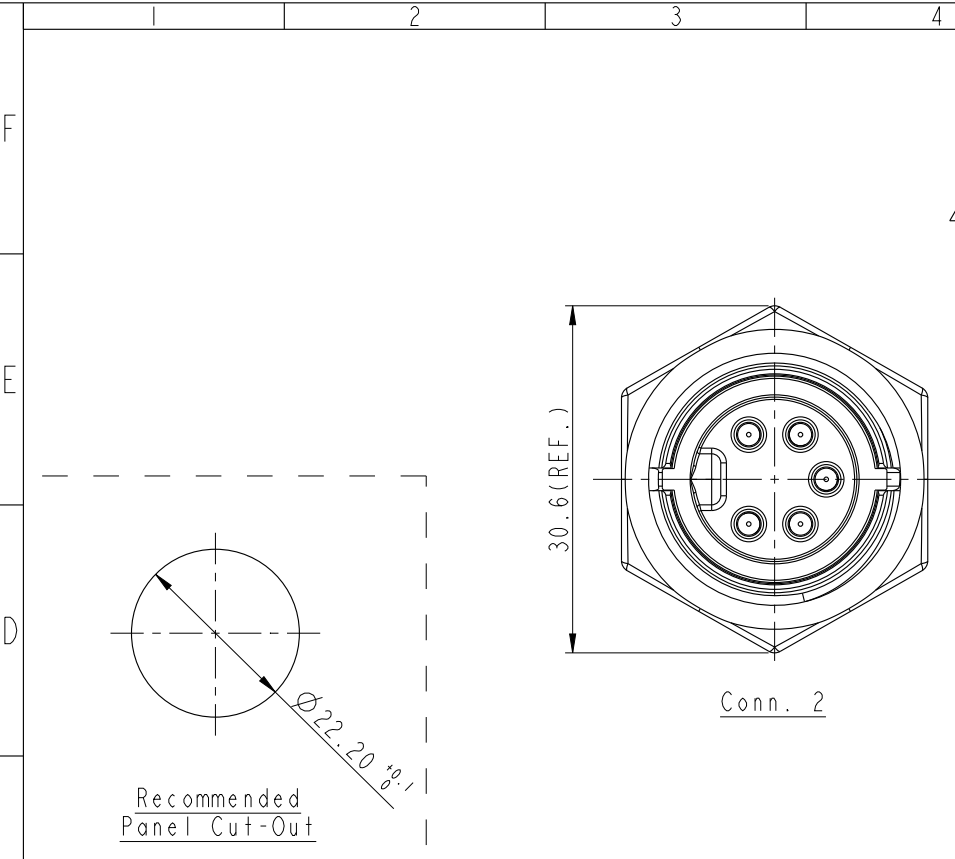
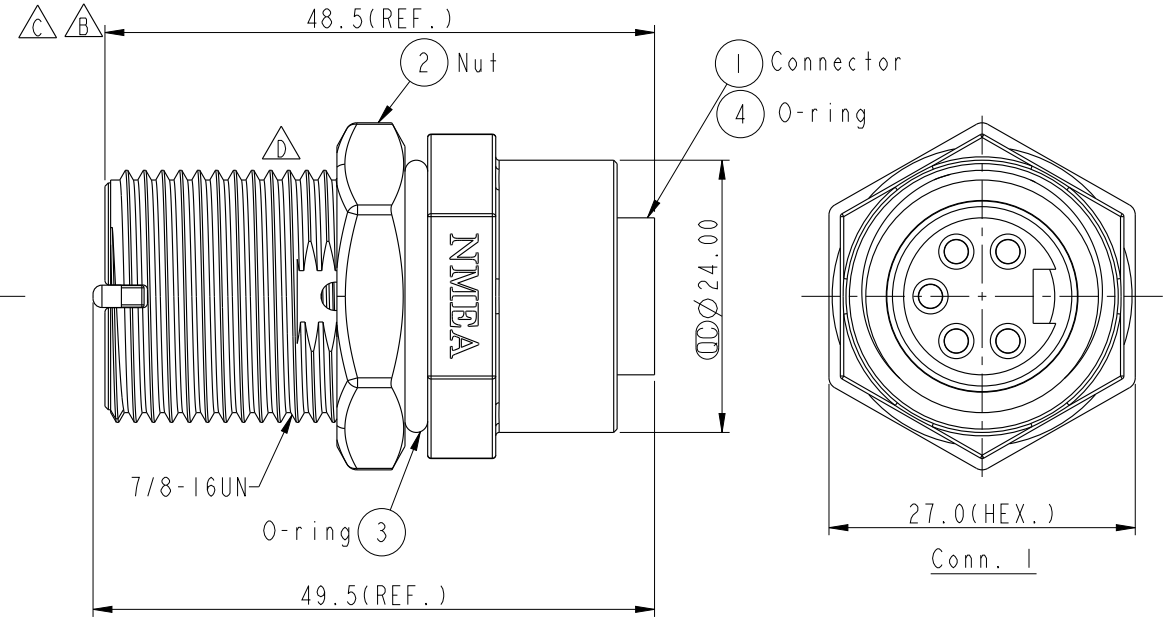


THIS DOCUMENT IS SUBJECT TO CHANGE WITHOUT NOTICE. IT IS CONFIDENTIAL AND A PROPERTY OF AMPHENOL LTW. DISCLOSURE TO THIRD PARTY HAS TO BE AUTHORIZED BY AMPHENOL LTW.

REV.	ECN NO.	DATE	SIGN	DESCRIPTION
B	LEN1380071	2013/08/06	SAM	Change Dimenison.
C	LEN1610053	2016/01/04	Jiawei	Change Dimenison.
D	CI91202	2019-07-16	Peng	Change The View



**ALTW**  
**CONFIDENTIAL**  
**2019-07-16**  
**R&D DEPT.**



- Note:
- \*  $\varnothing$  Important Dimension.
  - \* Waterproof Rate: IP68
  - IP68: 1M Depth Of Water In 24hours.
  - \* Conn1&2.: Nylon+GF, Black
  - \* Pin: Copper Alloy, Gold Plated
  - \* Shield: Brass, Nickel Plated
  - \* Nut: Brass, Nickel Plated
  - \* Liquid Glue: Clear
  - \* O-ring: Silicone, Gray

UNIT: mm		TITLE MNEA2000 MINI-C BULKHEAD		<b>Amphenol LTW</b> <b>安費諾亮泰企業股份有限公司</b>	ITEM NO UMN-000505-0FM-BS001	DRAWN BY Peng	DATE 2019-07-16
		TOLERANCE .X ±0.25 .XX ±0.1 .XXX ±0.05 ANGLES ±1°	SCALE 3:2		SIZE A4	SHEET 1 OF 1	DWG NO UMN-000505-0FM-BS001
		REV. D	WC-REV. A.2	Inspection item	CUSTOMER ALTW	APPROVED BY Jerry	DATE 2019-07-16