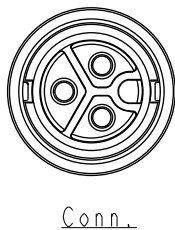
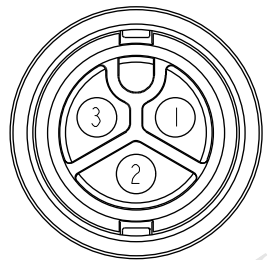
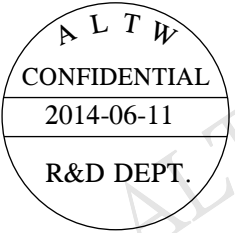
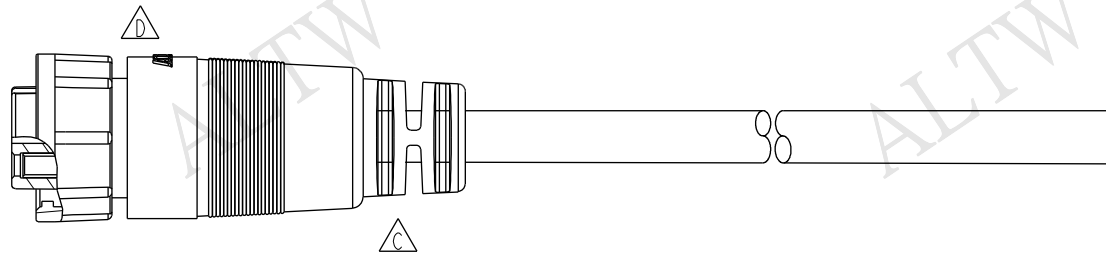
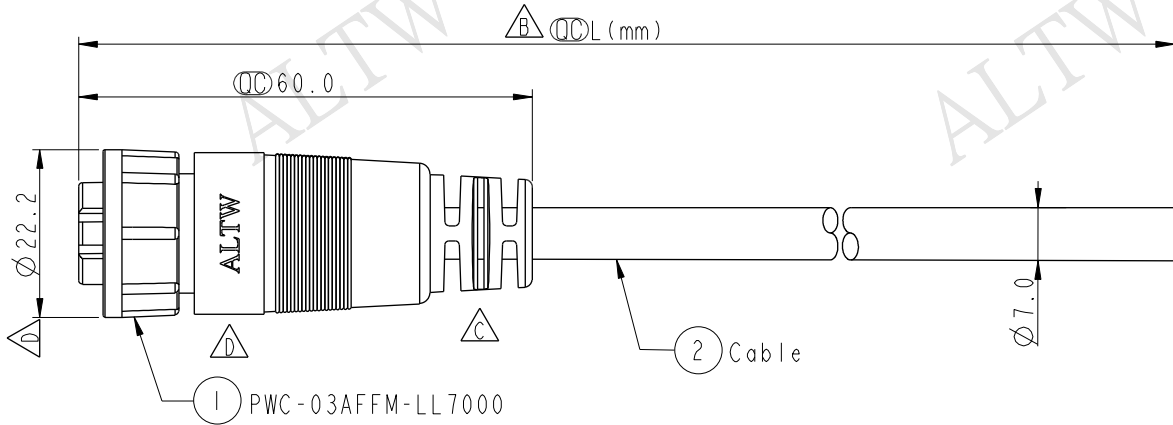


REV.	ECN NO.	DATE	SIGN	DESCRIPTION
B	LEN1130356~360	2011/03/09	Jiang Jun Hua	Change Labeling.
C	LEN1130456~460	2011/03/25	Jiang Jun Hua	Change SR View.
D	LEN1460097~103	2014/06/11	Sam	Modify Logo & Add Dimension



Conn.



Pin Assignments Front View

3	White	白
2	Green	綠
1	Black	黑
Conn.	Wire Color	
	Pin Out	

PWC-03AFFM-LL7AXX

XX: 01~99Meters
 01: 01Meter
 02: 02Meters
 ...
 99: 99Meters

- Note:
- * (CC) Important Dimension To Check.
 - * Waterproof Rate: IP67.
 - * Connector: Nylon+GF, Black.
 - * Female Pin: Copper Alloy, Gold Plated.
 - * Lock Nut: Nylon+GF, Black.
 - * Cable: UL2464 14AWG*3C+Talcum, Black, PVC Jacket, OD=7.0mm.
 - * Cable Length Tolerance: 01M: ±40mm
 02M~05M: ±60mm
 06M~10M: ±100mm
 11M~30M: ±200mm
 31M~99M: ±500mm

UNIT:mm	
TOLERANCE	±0.5 mm

TITLE Power Molding F Conn. F Pin 20Amps			
SCALE 1:1	SIZE A4	SHEET 1 OF 1	
REV. D	WC-REV. A.2	(CC): Inspection item	

Amphenol LTW
 安費諾亮泰企業股份有限公司

ITEM NO	DRAWN BY Sam	DATE 2014-06-11
DWG NO PWC-03AFFM-LL7AXX	CHECKED BY Vicky	DATE 2014-06-11
CUSTOMER ALTW	APPROVED BY Rita	DATE 2014-06-11

THIS DOCUMENT IS SUBJECT TO CHANGE WITHOUT NOTICE. IT IS CONFIDENTIAL AND A PROPERTY OF Amphenol LTW. DISCLOSURE TO THIRD PARTY HAS TO BE AUTHORIZED BY Amphenol LTW.