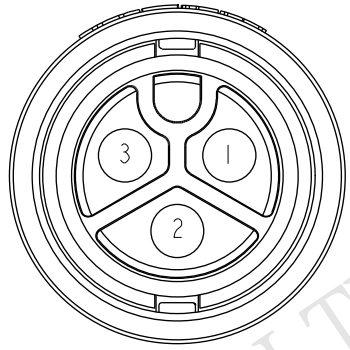
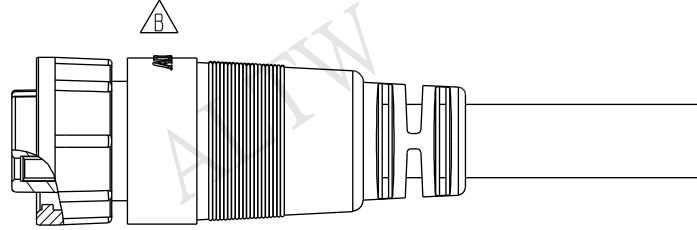
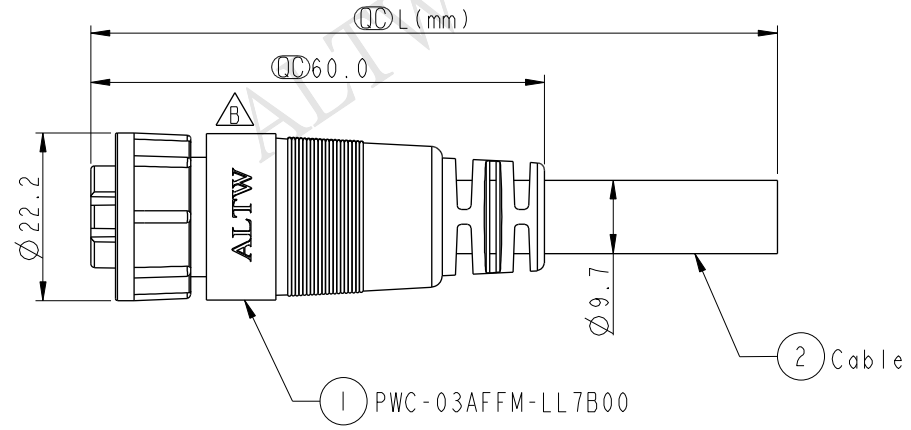
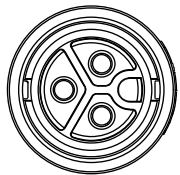
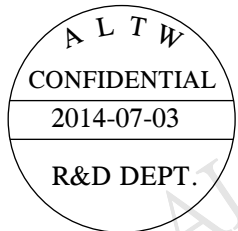


THIS DOCUMENT IS SUBJECT TO CHANGE WITHOUT NOTICE. IT IS CONFIDENTIAL AND A PROPERTY OF AMPHENOL LTW. DISCLOSURE TO THIRD PARTY HAS TO BE AUTHORIZED BY AMPHENOL LTW.

REV.	ECN NO.	DATE	SIGN	DESCRIPTION
A		2012/11/14	Tao-Cheng	Change Rev.02 To Rev.A
B	LEN1480245-248	2014/06/20	Sam	Change Logo



Pin Assignment Front View

3	White	白
2	Green	綠
1	Black	黑
Conn.	Wire Color	Pin Out

PWC-03AFFM-LL7BXX

XX:01~99Meters
 01:01Meter
 02:02Meters
 ...
 99:99Meters

- Note:
- * \varnothing Important Dimension To Check.
 - * Waterproof Rate: IP67 (Mated).
 - * Connector: Nylon+GF, Black.
 - * Female Pin: Copper Alloy, Gold Plated.
 - * O-Ring: Silicone, Gray.
 - * Lock Nut: Nylon+GF, Black.
 - * Cable: TC-ER 14AWG*3C, Black, PVC Jacket, OD=9.7mm.
 - * Cable Length Tolerance:
 - 01M:±40mm
 - 02M~05M:±60mm
 - 06M~10M:±100mm
 - 11M~30M:±200mm
 - 31M~99M:±500mm

UNIT:mm	
TOLERANCE	±0.5 mm

TITLE Power Molding 3Pin F Conn. F Pin 20Amps			
SCALE 1:1	SIZE A4	SHEET 1 OF 1	
REV. B	WC-REV. A.2	\varnothing : Inspection item	

Amphenol LTW
 安費諾亮泰企業股份有限公司

ITEM NO	DRAWN BY Sam	DATE 2014-07-03
DWG NO PWC-03AFFM-LL7BXX	CHECKED BY Vicky	DATE 2014-07-03
CUSTOMER ALTW	APPROVED BY Rita	DATE 2014-07-03